

AXOR Uno

Single lever shower mixer for exposed installation with loop handle 2 ticks

Finish: **Chrome** Article Number: **38622009**



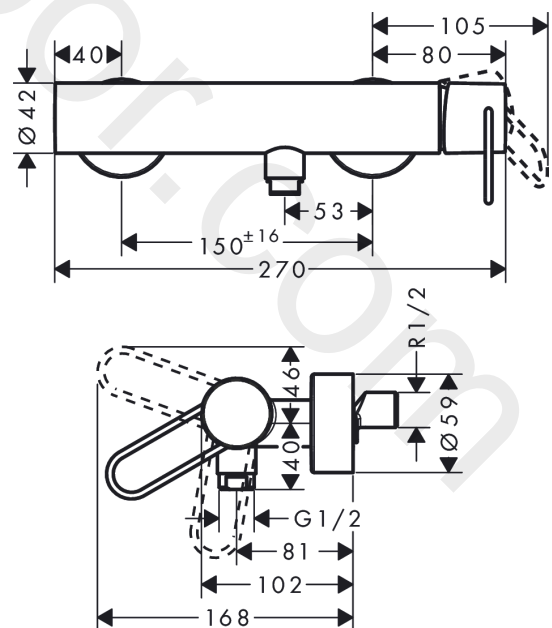
product features

- 1 function
- centre distance: 150 ± 16 mm
- maximum flow rate at 3 bar: 4,7 l/min
- flow rate of hand shower at 3 bar: 4,7 l/min
- ceramic cartridge
- temperature limitation adjustable
- non-return valve
- with silencer
- suitable for continuous flow water heaters
- hose connection DN15
- connection dimension: DN15
- min. operating pressure: 1 bar
- max. operating pressure: 10 bar
- connection type: s-shaped connections

Product image



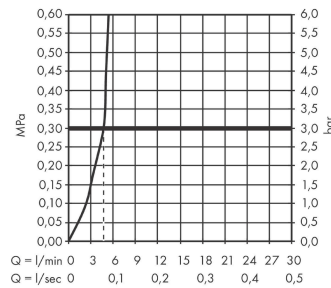
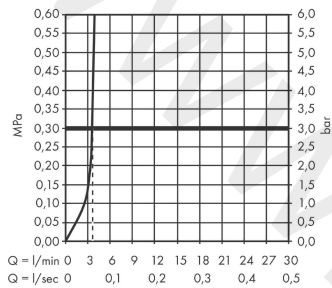
Scale drawing



AXOR Uno
Single lever shower mixer for exposed installation with loop handle 2 ticks
 Finish: **Chrome** Article Number: **38622009**



Flowchart

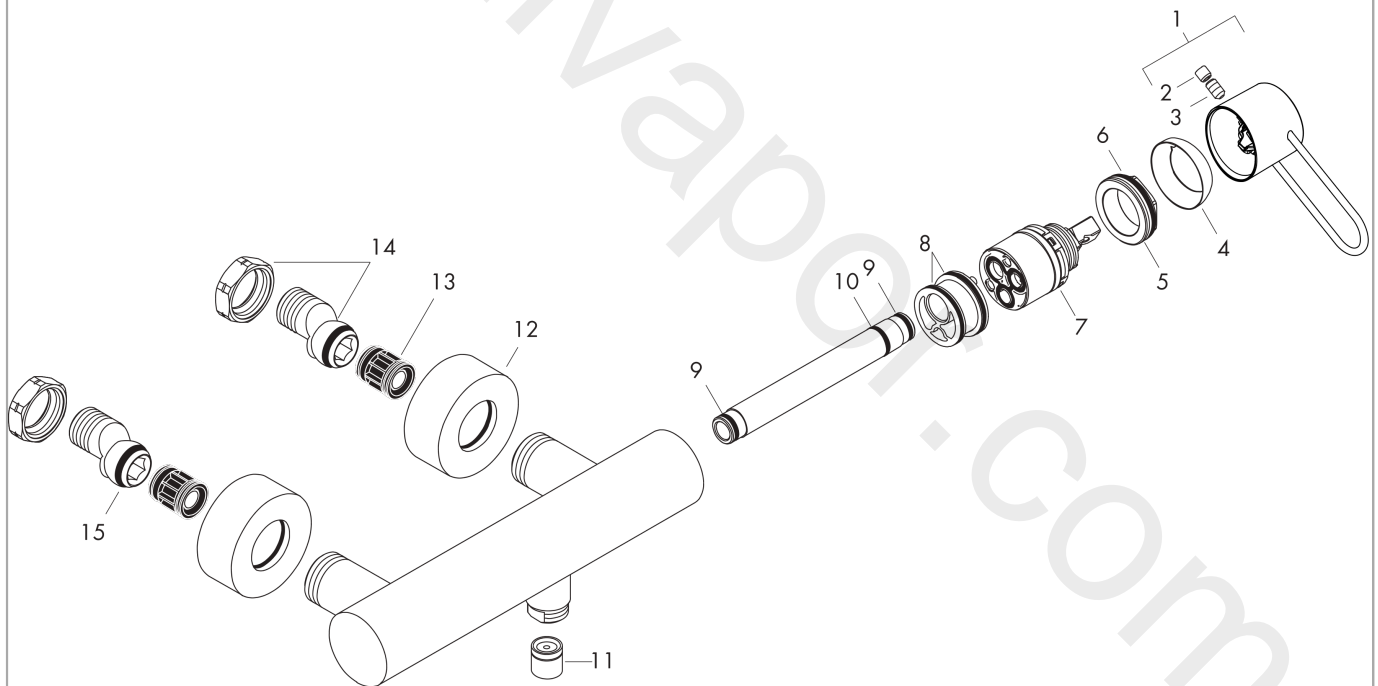


AXOR Uno
Single lever shower mixer for exposed installation with loop handle 2 ticks
Finish: **Chrome** Article Number: **38622009**



Exploded Drawing

Year of production: >04/20



AXOR Uno
Single lever shower mixer for exposed installation with loop handle 2 ticks
 Finish: **Chrome** Article Number: **38622009**



Spare part list

Year of production: >04/20

| Pos. | | Article Number | Price | PU |
|------|--------------------------------|----------------|---------|----|
| 1 | handle | 93073000 | £ 96,00 | 1 |
| 2 | screw cover | 96762000 | £ 3,30 | 1 |
| 3 | hollow set screw M6x10 DIN 916 | 96029000 | £ 3,30 | 1 |
| 4 | flange | 98603000 | £ 25,00 | 1 |
| 5 | nut | 97209000 | £ 16,10 | 1 |
| 6 | O-ring 33x2 | 98154000 | £ 3,30 | 1 |
| 7 | cartridge, assy | 95646000 | £ 96,00 | 1 |
| 8 | O-ring 29x2 | 98391000 | £ 3,30 | 1 |
| 9 | O-ring 12x2 | 98214000 | £ 3,30 | 1 |
| 10 | O-ring 11x2 | 98127000 | £ 3,30 | 1 |
| 11 | non return valve | 92839000 | £ 16,10 | 1 |
| 12 | escutcheon Ø 59 mm | 97507000 | £ 35,00 | 1 |
| 13 | noise reduction | 96429000 | £ 6,10 | 1 |
| 14 | set of S-unions with nuts | 96742000 | £ 51,00 | 1 |
| 15 | O-ring 18x2,5 | 98139000 | £ 3,30 | 1 |