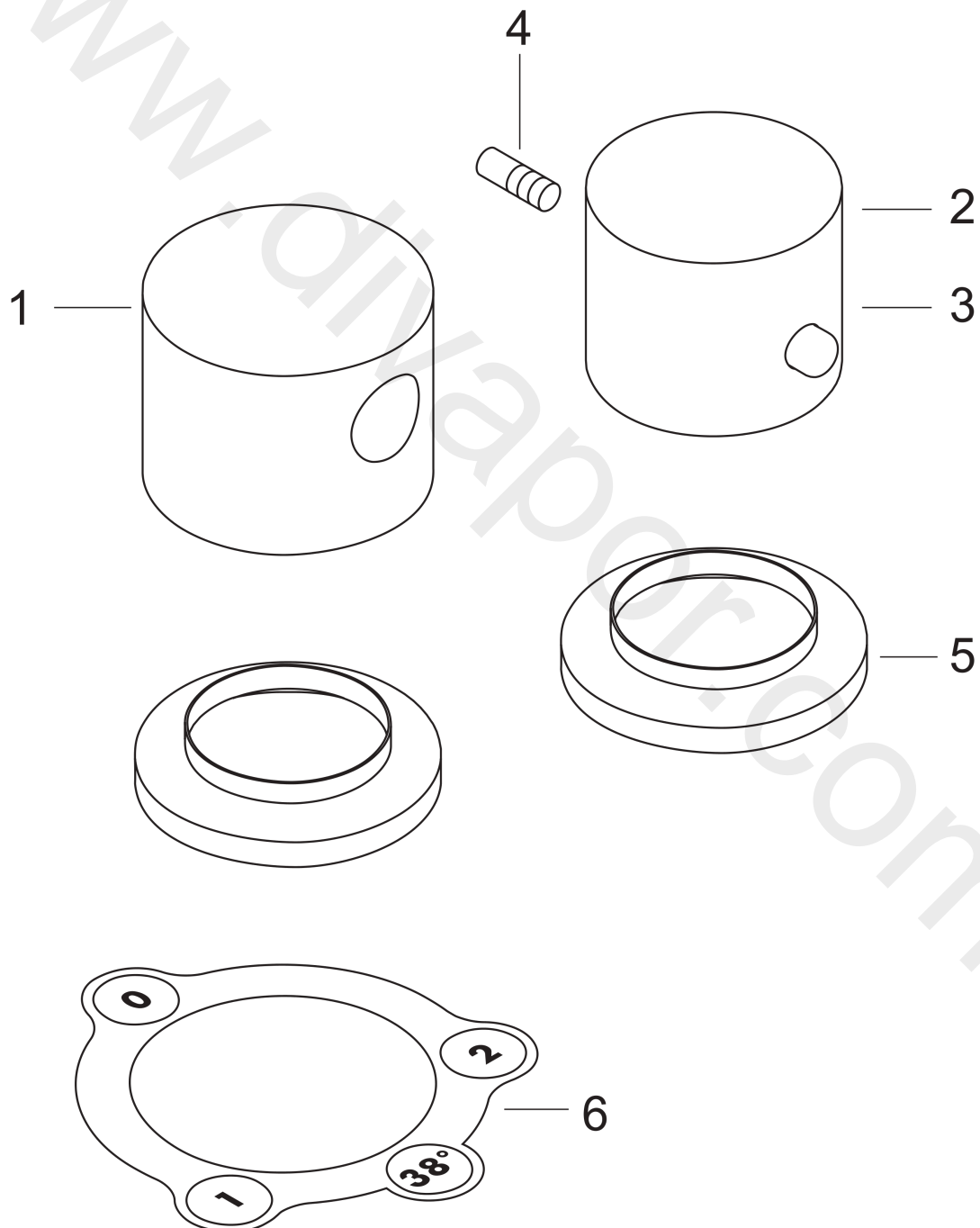


AXOR Uno
2-hole rim mounted thermostatic bath mixer
Surfaces: Article Number: **38480000**



Exploded Drawing

Year of production: **03/02 - 09/12**



AXOR Uno
2-hole rim mounted thermostatic bath mixer
 Surfaces: Article Number: **38480000**



Spare part list

Year of production: **03/02 - 09/12**

| Pos. | | Article Number | Price | PU |
|------|------------------------|----------------|------------|----|
| 1 | handle | 38993000 | £ 51,00 | 1 |
| 2 | handle for thermostat | 38392000 | £ 64,00 | 1 |
| 3 | pushbutton red | 97212000 | £ 25,00 | 1 |
| 4 | hollow set screw M5x16 | 97666000 | £ 3,30 | 1 |
| 5 | escutcheon | 21828000 | £ 43,00 | 1 |
| 6 | stickers for symbols | 97791000 | £ 6,10 | 1 |
| a | concealed item | 13550180 | £ 1.170,00 | 1 |
| b | pushbutton | 97792000 | £ 16,10 | 1 |