

AXOR Uno

Electronic basin mixer for concealed installation wall-mounted with spout 165 mm

Finish: **Chrome** Article Number: **38119000**



product features

- projection: 165 mm
- spray type: normal spray
- maximum flow rate at 3 bar: 5 l/min
- temperature adjustable via basic set
- infrared sensor technology
- automatic environmental adjustment of infrared sensor
- adjustable optical range of infrared sensor (5 settings)
- 230 V / 50 Hz mains connection
- running time: 10 s
- hygiene rinse activatable (automatic water flow)
- frequency of hygiene rinse: 24 h
- flushing time hygiene rinse: 10 s
- permanent rinse activatable (single water flow for 180 seconds, suitable for thermal disinfection)
- cleaning mode: manual water stop for washbasin cleaning
- TÜV certified
- dirt filters in the connection hoses
- for ideal function please note a minimum distance of 140 mm from the aerators center to the back rim of the wash basin
- EU taxonomy: max. 6 l/min - Substantial Contribution (SC)
- WRAS 2110026
- WRAS 2110026 - Approval letter

Article Details

Price excl. VAT

958,33 £

Technology



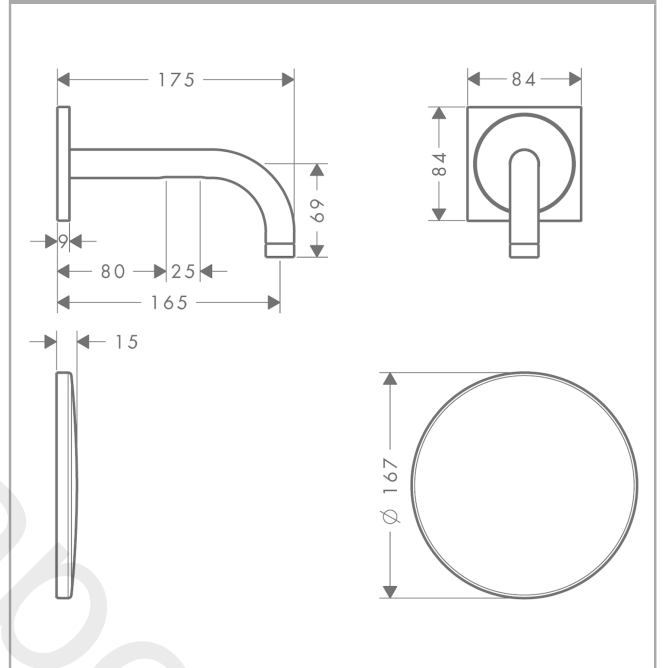
AXOR Uno
Electronic basin mixer for concealed installation wall-mounted with spout 165 mm
 Finish: **Chrome** Article Number: **38119000**



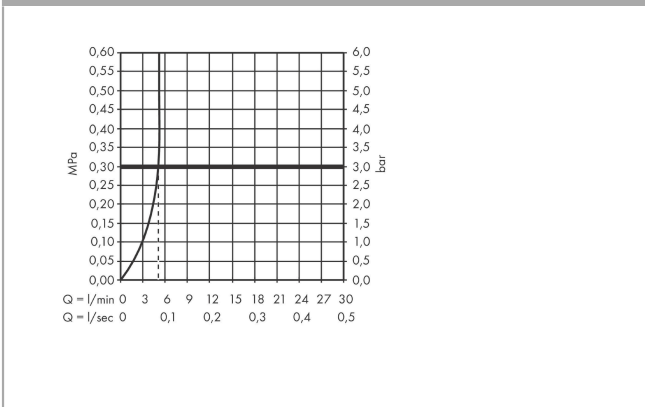
Product image



Scale drawing



Flowchart



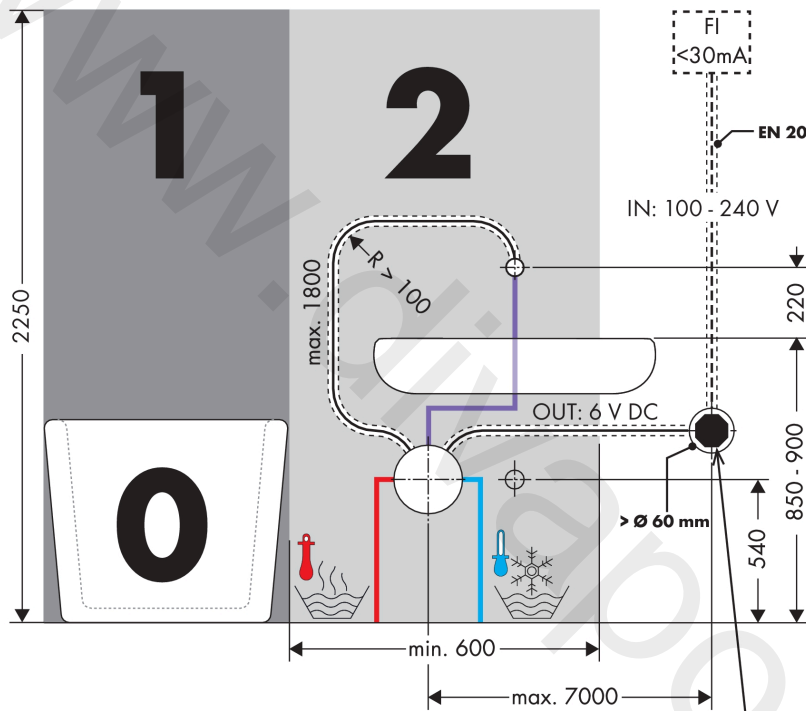
AXOR Uno

Electronic basin mixer for concealed installation wall-mounted with spout 165 mm

Finish: **Chrome** Article Number: **38119000**

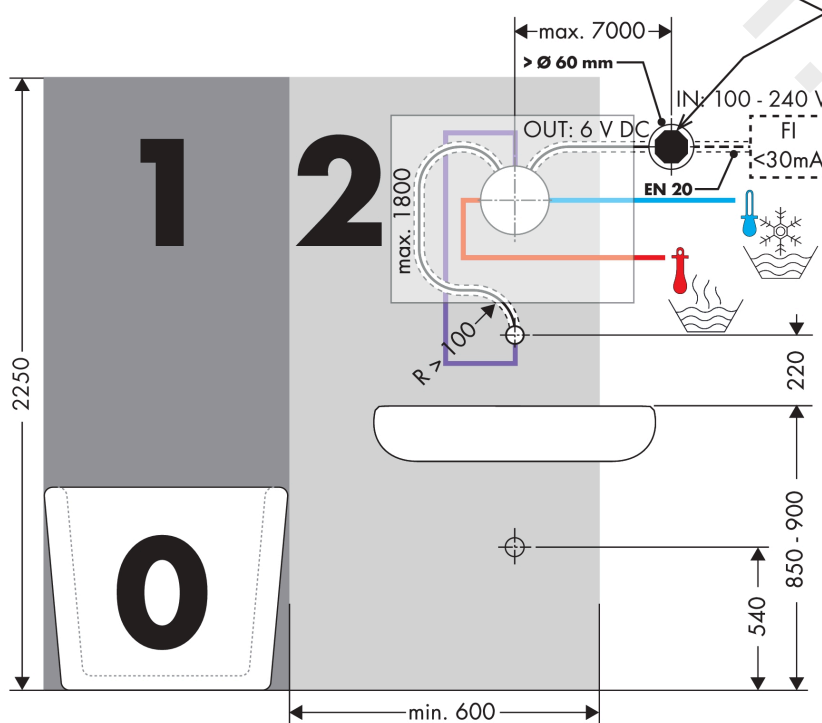


Installation examples



DIN VDE 0100 Teil 701 / IEC 60364-7-701

- 0, 1, 2 = Schutzbereich
- 0, 1, 2 = Zone de protection
- 0, 1, 2 = Protected area
- 0, 1, 2 = Zona proteotta
- 0, 1, 2 = Área protegida
- 0, 1, 2 = Veiligheidszone
- 0, 1, 2 = Beskyttelsesklasse
- 0, 1, 2 = Área de protecção
- 0, 1, 2 = Srefo ochronna
- 0, 1, 2 = Chránená oblasť
- 0, 1, 2 = Ochranná oblasť
- 0, 1, 2 = 保护区
- 0, 1, 2 = Защитная зона
- 0, 1, 2 = Biztonsági zóna
- 0, 1, 2 = Suoja-alue
- 0, 1, 2 = Skyddsområde
- 0, 1, 2 = Saugos zona
- 0, 1, 2 = Zaštitno područje
- 0, 1, 2 = Koruma bölgesi
- 0, 1, 2 = Domeniu de protecție
- 0, 1, 2 = Εύρος προστασίας
- 0, 1, 2 = Zaštitno območje
- 0, 1, 2 = Kaite ulatus
- 0, 1, 2 = Aizsardzības zona
- 0, 1, 2 = Zaštitno područje
- 0, 1, 2 = Beskyttelseszone
- 0, 1, 2 = Диапазон на защита
- 0, 1, 2 = Zona e mbrojtjes.
- 0, 1, 2 = منطقة حماية

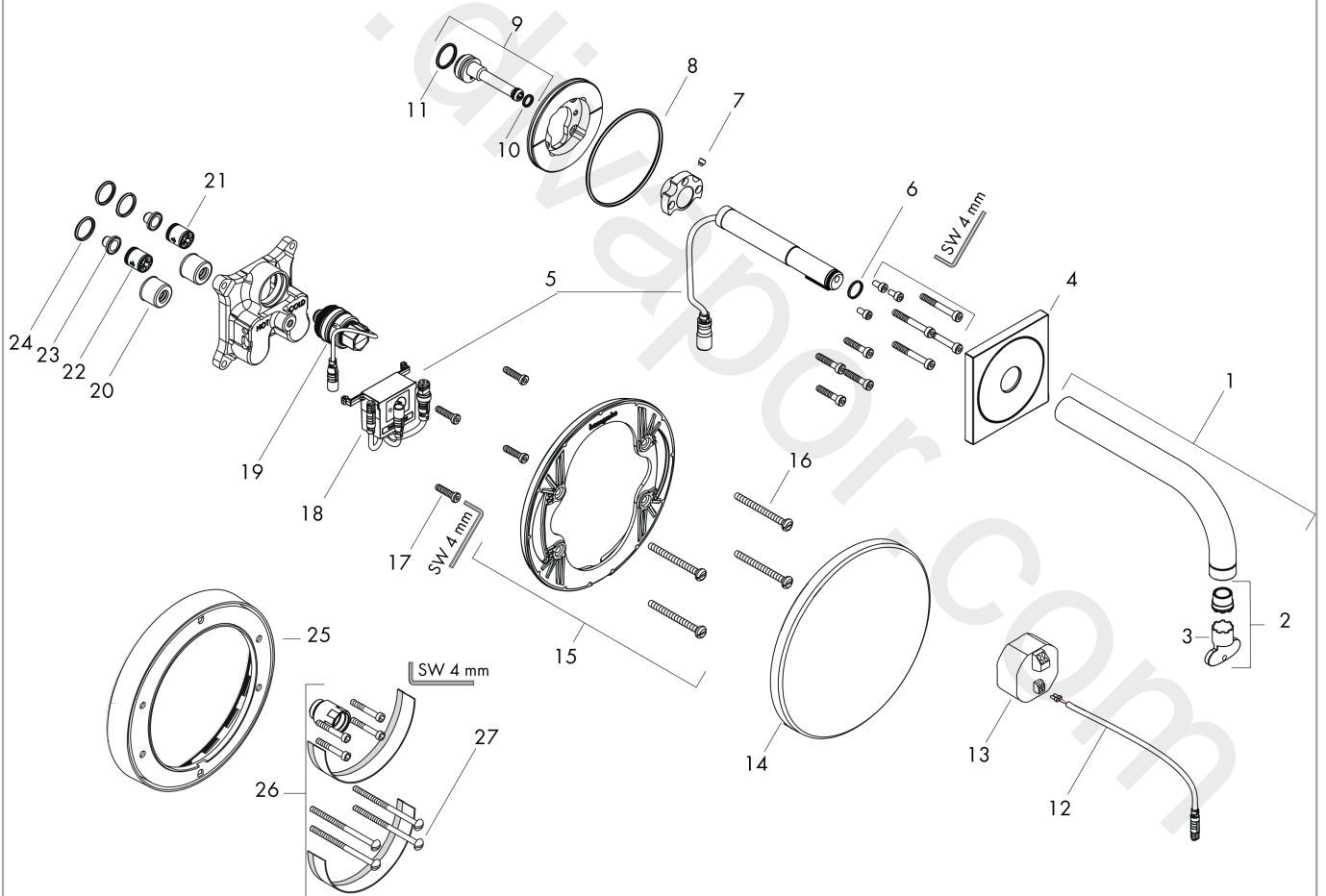


AXOR Uno
Electronic basin mixer for concealed installation wall-mounted with spout 165 mm
Finish: **Chrome** Article Number: **38119000**



Exploded Drawing

Year of production: >05/20



AXOR Uno

Electronic basin mixer for concealed installation wall-mounted with spout 165 mm

Finish: **Chrome** Article Number: **38119000**



Spare part list

Year of production: >05/20

Pos.		Article Number	Price	PU
1	spout 165 mm	95950000	£ 275,00	1
2	aerator laminar M16,5x1 (5 l/min)	95382000	£ 43,00	1
3	special tool	98987000	£ 9,00	1
4	escutcheon	95943000	£ 110,00	1
5	electronics	95942000	£ 585,00	1
6	O-ring 12x1,5	98430000	£ 3,30	1
7	hollow set screw M6x6	97660000	£ 3,30	1
8	O-ring 76x2,5	98431000	£ 6,10	1
9	connecting thread	92449000	£ 51,00	1
10	O-ring 7x1,5	98422000	£ 3,30	1
11	O-ring 17x1,5	98137000	£ 3,30	1
12	cable for illumination (12 V)	95586000	£ 79,00	1
13	transformer	95945000	£ 224,00	1
14	escutcheon Ø 170 mm	95946000	£ 64,00	1
15	sub plate	96447000	£ 51,00	1
16	set of fixing screws	96454000	£ 9,00	1
17	set of screws	96525000	£ 9,00	1
18	control system	95947000	£ 224,00	1
19	solenoid valve 6 V	96904000	£ 275,00	1
20	noise reduction	94073000	£ 25,00	1
21	non return valve (pressure-resistant up to 2 MPa)	92594000	£ 16,10	1
22	set of non return valves DW 15	94074000	£ 16,10	1
23	filter packing	95291000	£ 13,30	1
24	O-ring 16x2	98133000	£ 3,30	1
25	extension 22 mm (Ø 170 mm)	13596000	£ 72,00	1
26	extension 25 mm	13594000	£ 109,00	1
a	concealed item	16180180	£ 400,00	1
b	conversion kit with push button	95977000	£ 585,00	1
c	extension 25 mm	13595000	£ 75,00	1