

AXOR Uno

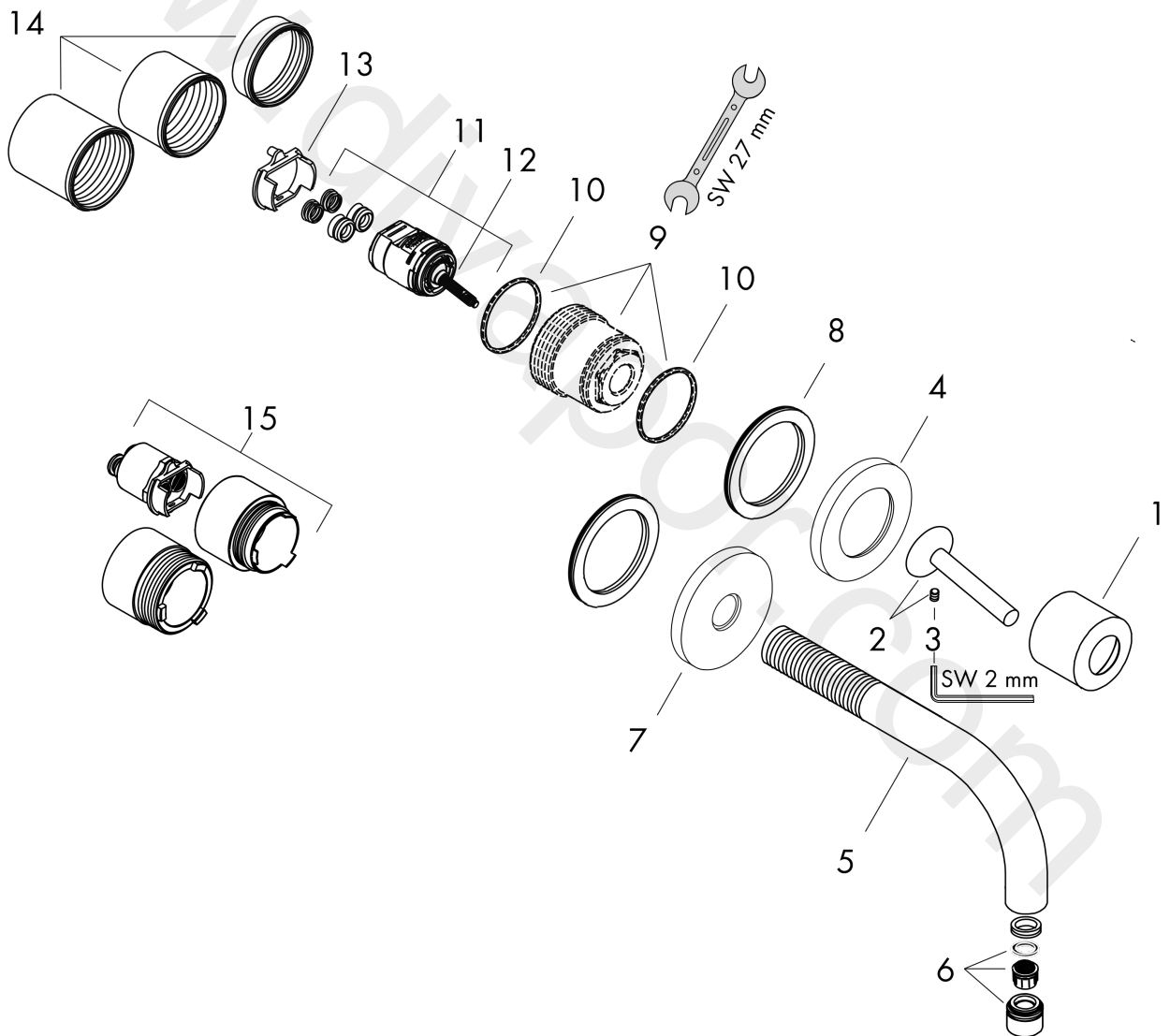
Single lever basin mixer for concealed installation wall-mounted with spout 225 mm and escutcheons

Surfaces: Article Number: **38116810**



Exploded Drawing

Year of production: **06/03 - 04/09**



AXOR Uno

Single lever basin mixer for concealed installation wall-mounted with spout 225 mm and escutcheons

Surfaces: Article Number: **38116810**



Spare part list

Year of production: **06/03 - 04/09**

| Pos. | | Article Number | Price | PU |
|------|---|----------------|----------|----|
| 1 | flange | 96908810 | £ 64,00 | 1 |
| 2 | handle | 10092810 | £ 110,00 | 1 |
| 3 | hollow set screw M4x6 | 97767000 | £ 3,30 | 1 |
| 4 | escutcheon for handle | 96909810 | £ 110,00 | 1 |
| 5 | spout 220 mm | 97368810 | £ 224,00 | 1 |
| 6 | aerator laminar M18x1 (7 l/min) | 96911810 | £ 64,00 | 1 |
| 7 | escutcheon for spout | 96910810 | £ 110,00 | 1 |
| 8 | washer | 97600000 | £ 13,30 | 1 |
| 9 | nut | 95645000 | £ 43,00 | 1 |
| 10 | O-ring 34x2 | 98383000 | £ 6,10 | 1 |
| 11 | cartridge, assy | 96339000 | £ 79,00 | 1 |
| 12 | O-ring 21,95x1,78 | 95169000 | £ 3,30 | 1 |
| 13 | adapter for cartridge | 97280000 | £ 6,10 | 1 |
| 14 | fixing set | 97971000 | £ 43,00 | 1 |
| 15 | extension set 25 mm for 13622180 | 31971000 | £ 169,00 | 1 |
| a | concealed item | 38111180 | - | 1 |
| b | extension set for 38111180 | 38982000 | £ 173,00 | 1 |
| c | waste | 50001810 | - | 1 |
| d | aerator laminar M18x1 (7 l/min) | 96911000 | £ 43,00 | 1 |
| e | service tool for disassembling the handle | 92124000 | £ 137,00 | 1 |
| f | adapter for exchanged connections | 93561000 | £ 275,00 | 1 |