

AXOR Uno

Single lever basin mixer for concealed installation wall-mounted with spout 225 mm and plate

Finish: **Chrome** Article Number: **38115000**



product features

- consists of: single lever basin mixer for concealed installation wall-mounted, waste set
- projection: 225 mm
- spray type: normal spray
- maximum flow rate at 3 bar: 5 l/min
- ceramic cartridge
- suitable for continuous flow water heaters
- non-closing waste set
- connection type: basic set
- connection dimension: DN15
- handle can be positioned on the right or left, depending on the basic set installation
- WRAS 1906108

Article Details

Price excl. VAT

641,67 £

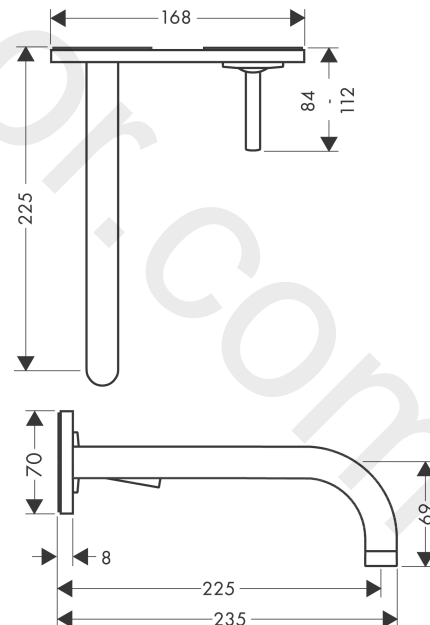
Technology



Product image



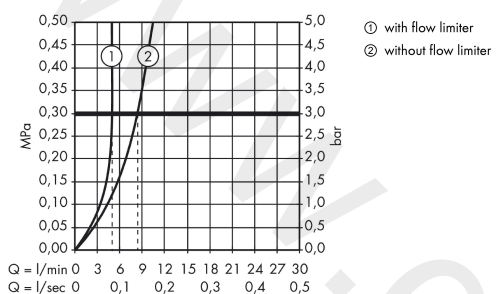
Scale drawing



AXOR Uno
Single lever basin mixer for concealed installation wall-mounted with spout 225 mm and plate
 Finish: **Chrome** Article Number: **38115000**



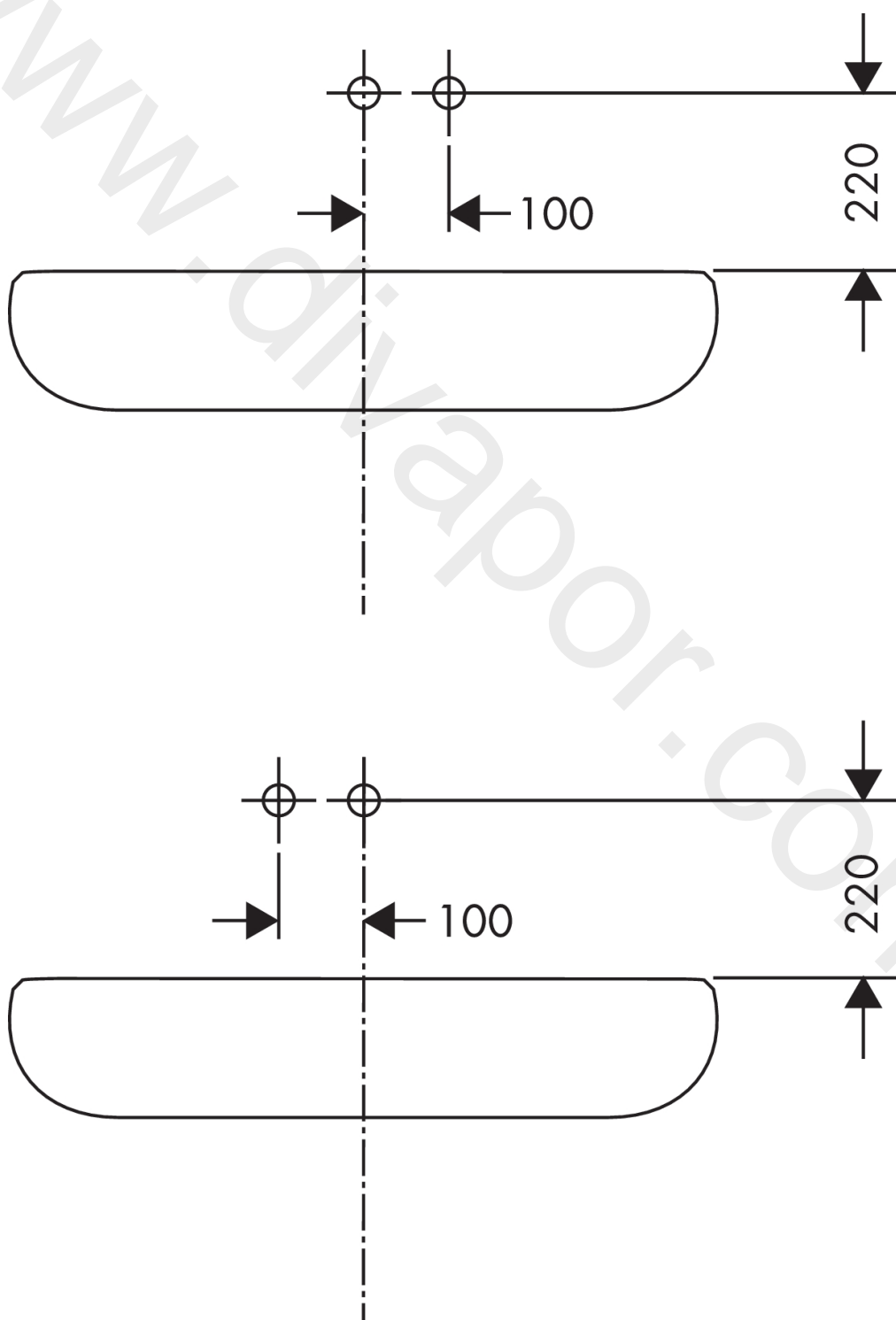
Flowchart



AXOR Uno
Single lever basin mixer for concealed installation wall-mounted with spout 225 mm and plate
Finish: **Chrome** Article Number: **38115000**



Installation examples



AXOR Uno

Single lever basin mixer for concealed installation wall-mounted with spout 225 mm and plate

Finish: **Chrome** Article Number: **38115000**



Spare part list

Year of production: >01/10

Pos.		Article Number	Price	PU
1	flange	96908000	£ 43,00	1
2	handle	10092000	£ 79,00	1
3	hollow set screw M4x6	97767000	£ 3,30	1
4	escutcheon for handle	96912000	£ 51,00	1
5	spout 220 mm	97368000	£ 173,00	1
6	aerator M18x1 (5 l/min)	95387000	£ 43,00	1
7	escutcheon for spout	96913000	£ 51,00	1
8	nut	97601000	£ 20,50	1
9	escutcheon	96914000	£ 224,00	1
10	nut	95645000	£ 43,00	1
11	O-ring 34x2	98383000	£ 6,10	1
12	cartridge, assy	96339000	£ 79,00	1
13	O-ring 21,95x1,78	95169000	£ 3,30	1
14	adapter for cartridge	95644000	£ 16,10	1
15	fixing set	97971000	£ 43,00	1
16	extension set 25 mm for 13622180	31971000	£ 169,00	1
17	conversion kit	95643000	£ 43,00	1
18	adapter for cartridge	97280000	£ 6,10	1
a	extension set for 38111180	38982000	£ 173,00	1
b	pop up waste	51301000	£ 87,00	1
c	aerator laminar M18x1 (7 l/min)	96911000	£ 43,00	1
d	base body	13622180	£ 355,00	1
e	adapter for exchanged connections	93561000	£ 275,00	1
f	base body	13622180	£ 355,00	1
g	service tool for disassembling the handle	92124000	£ 137,00	1
h	Grease	90920000	£ 16,10	1