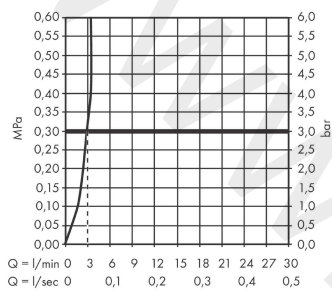




**AXOR Uno**  
**Single lever basin mixer 100 with loop handle and waste set 2 ticks**  
Finish: **Chrome** Article Number: **38050009**



## Flowchart

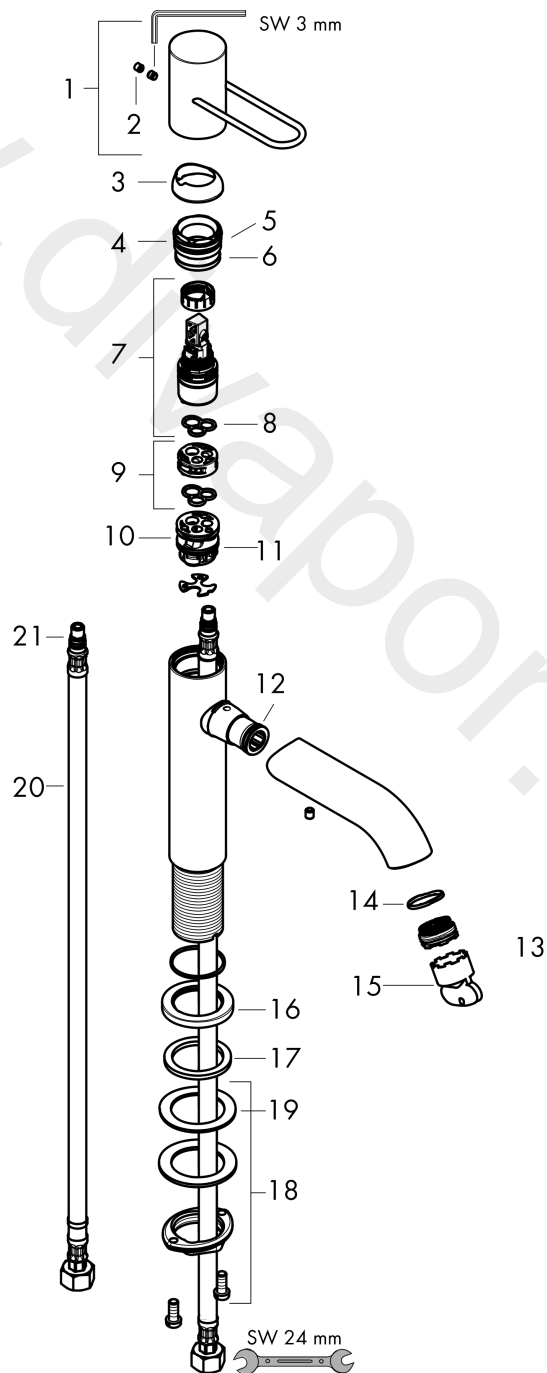


**AXOR Uno**  
**Single lever basin mixer 100 with loop handle and waste set 2 ticks**  
Finish: **Chrome** Article Number: **38050009**



## Exploded Drawing

Year of production: >04/20



**AXOR Uno**  
**Single lever basin mixer 100 with loop handle and waste set 2 ticks**  
 Finish: **Chrome** Article Number: **38050009**



## Spare part list

Year of production: >04/20

Pos.		Article Number	Price	PU
1	handle	92886000	£ 137,00	1
2	screw cover	95181000	£ 3,30	1
3	flange	92625000	£ 35,00	1
4	nut	92689000	£ 25,00	1
5	O-ring 25x1,5	98146000	£ 3,30	1
6	O-ring 27x1,5	92527000	£ 13,30	1
7	cartridge, assy	95973000	£ 79,00	1
8	seal	98865000	£ 35,00	1
9	adapter for cartridge	92628000	£ 20,50	1
10	adapter for cartridge	98866000	£ 35,00	1
11	O-ring 23x2	98398000	£ 3,30	1
12	O-ring 16x2	98133000	£ 3,30	1
13	aerator M24x1 (3,8 l/min)	93804000	£ 25,00	1
14	O-ring 20x1,5	98197000	£ 3,30	1
15	special tool	98987000	£ 9,00	1
16	escutcheon Ø 46 mm	95268000	£ 25,00	1
17	flat seal	98749000	£ 6,10	1
18	fixing set (Ø 32)	13961000	£ 25,00	1
19	lever collar	97548000	£ 3,30	1
20	connection hose 600 mm M8x0,75 G1/2	92482000	£ 43,00	1
21	O-ring 7x1,5	98422000	£ 3,30	1
a	pop up waste	51301000	£ 87,00	1
b	fixation extension 35 mm	13898000	£ 79,00	1