

**AXOR Uno**  
**Single lever basin mixer floor-standing with loop handle without waste set**  
 Finish: **Brushed Nickel** Article Number: **38037820**



### product features

- projection: 266 mm
- handle variant: flat handle
- spray type: normal spray
- maximum flow rate at 3 bar: 5 l/min
- ceramic cartridge
- temperature limitation adjustable
- suitable for continuous flow water heaters
- connection type: basic set
- connection dimension: DN15
- EU taxonomy: max. 6 l/min - Substantial Contribution (SC)

### Article Details

Price excl. VAT 2.800,00 £

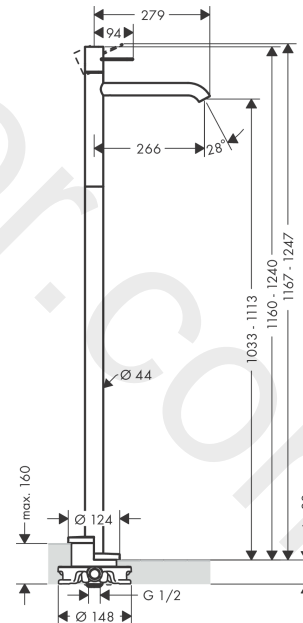
### Technology



### Product image



### Scale drawing



**AXOR Uno**  
**Single lever basin mixer floor-standing with loop handle without waste set**  
Finish: **Brushed Nickel** Article Number: **38037820**



## Flowchart

- ① With flow limiter
- ② Without flow limiter

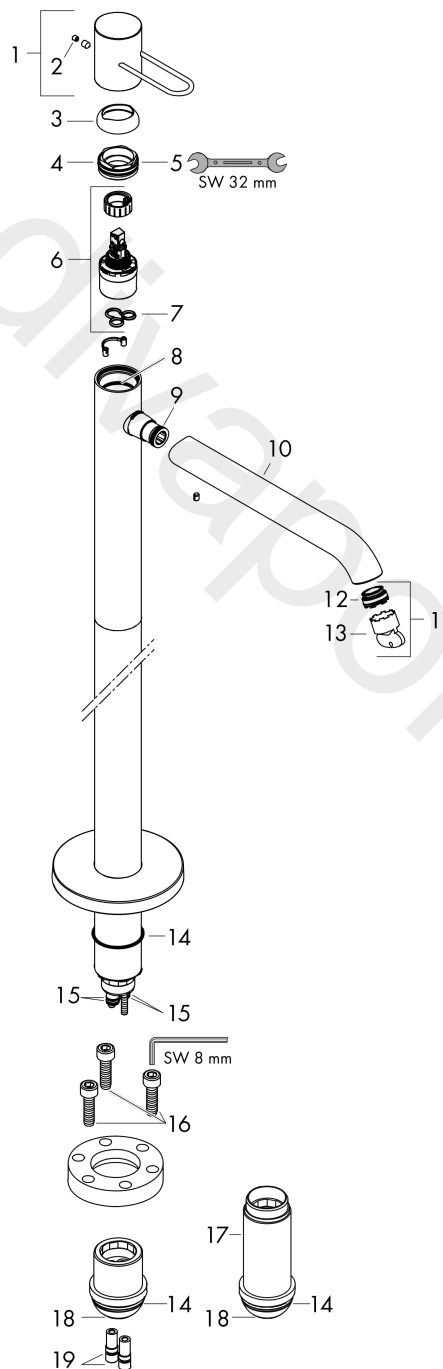


**AXOR Uno**  
**Single lever basin mixer floor-standing with loop handle without waste set**  
 Finish: **Brushed Nickel**    Article Number: **38037820**



## Exploded Drawing

Year of production: >04/17



**AXOR Uno**  
**Single lever basin mixer floor-standing with loop handle without waste set**  
 Finish: **Brushed Nickel** Article Number: **38037820**



## Spare part list

Year of production: >04/17

Pos.		Article Number	Price	PU
1	handle	93055820	£ 275,00	1
2	screw cover	96338000	£ 3,30	1
3	flange	92965820	-	1
4	nut	92966000	£ 43,00	1
5	O-ring 33x1,5	98164000	£ 3,30	1
6	cartridge, assy	92730000	£ 35,00	1
7	seal	95008000	£ 9,00	1
8	O-ring 35x2	92604000	£ 6,10	1
9	O-ring 16x2	98133000	£ 3,30	1
10	spout cpl.	93058820	£ 445,00	1
11	aerator M24x1 (5 l/min)	92895000	£ 35,00	1
12	O-ring 20x1,5	98197000	£ 3,30	1
13	special tool	95290000	£ 9,00	1
14	O-ring 44x2,5	98162000	£ 3,30	1
15	O-ring 10x1,5	98123000	£ 3,30	1
16	hexagon socket screw M10x35	97670000	£ 16,10	1
17	extension set 60 mm	97686000	£ 320,00	1
18	O-ring 29x3	98371000	£ 6,10	1
19	O-ring 7x2	98419000	£ 3,30	1