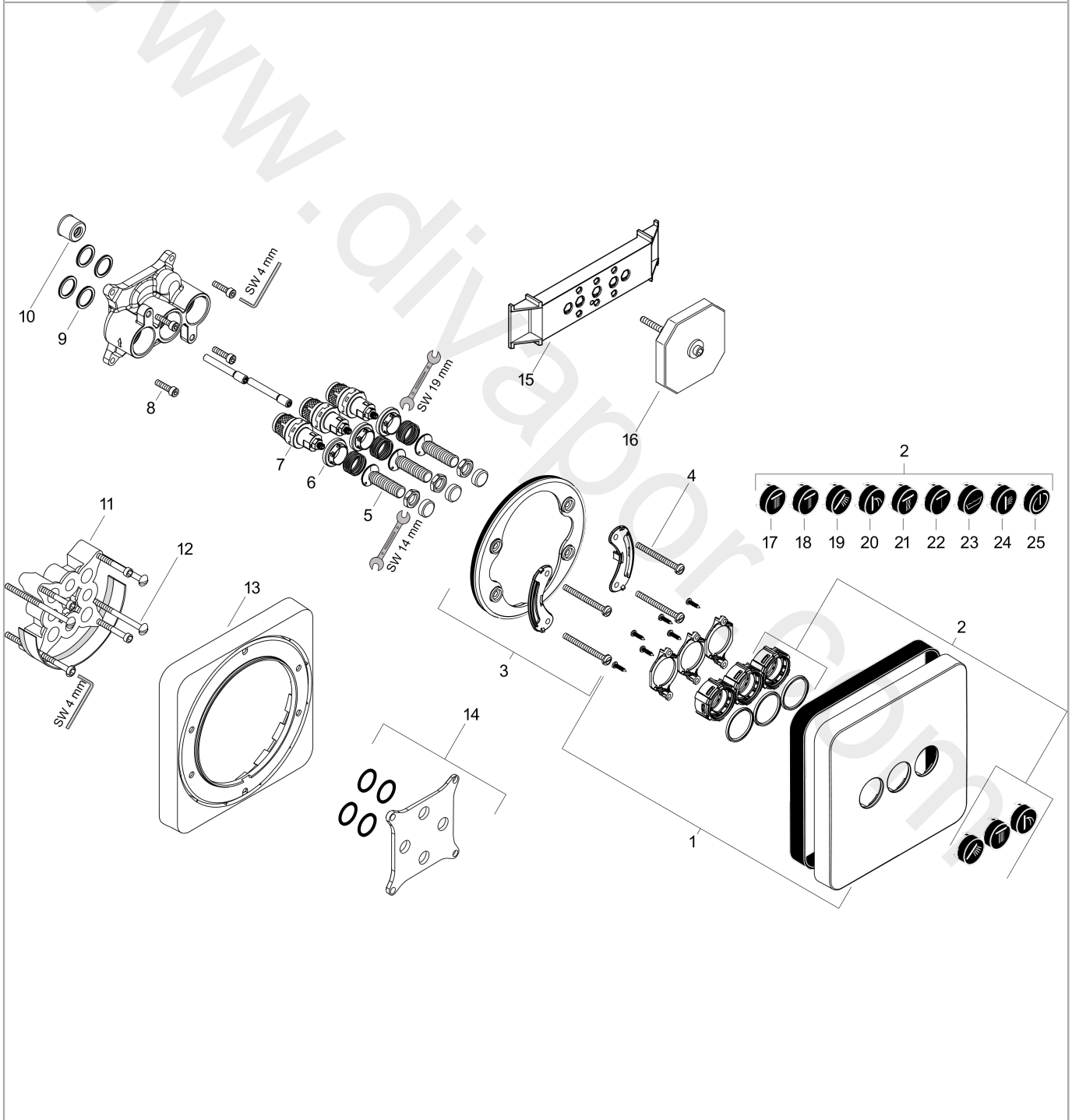


AXOR ShowerSelect
Valve for concealed installation softsquare for 3 functions
 Surfaces: Article Number: **36773260**



Exploded Drawing

Year of production: **11/16 - 12/19**



AXOR ShowerSelect
Valve for concealed installation softsquare for 3 functions
 Surfaces: Article Number: **36773260**



Spare part list

Year of production: **11/16 - 12/19**

| Pos. | | Article Number | Price | PU |
|------|-------------------------------|----------------|----------|----|
| 1 | escutcheon 170 / 170 mm | 92543260 | £ 345,00 | 1 |
| 2 | set of symbols | 92544610 | £ 137,00 | 1 |
| 3 | holder for escutcheon | 98793000 | £ 43,00 | 1 |
| 4 | set of fixing screws | 96454000 | £ 9,00 | 1 |
| 5 | Select-adapter | 92219000 | £ 6,10 | 1 |
| 6 | nut | 98368000 | £ 13,30 | 1 |
| 7 | shut off unit | 95758000 | £ 110,00 | 1 |
| 8 | set of screws | 96525000 | £ 9,00 | 1 |
| 9 | O-ring 16x2 | 98133000 | £ 3,30 | 1 |
| 10 | noise reduction | 94073000 | £ 25,00 | 1 |
| 11 | extension 25 mm | 13595000 | £ 75,00 | 1 |
| 12 | set of fixing screws | 97747000 | £ 3,30 | 1 |
| 13 | extension 22 mm | 98860260 | £ 126,00 | 1 |
| 14 | compensation set 1° | 95521000 | £ 173,00 | 1 |
| 15 | fit-up aid | 92540000 | £ 14,10 | 1 |
| 16 | flushing unit complete | 15956000 | - | 1 |
| 17 | symbol head shower Rain large | 93571610 | £ 13,30 | 1 |
| 18 | symbol head shower Rain small | 93572610 | £ 13,30 | 1 |
| 19 | symbol handshower | 93573610 | £ 13,30 | 1 |
| 20 | symbol Flood jet | 93574610 | £ 13,30 | 1 |
| 21 | symbol Whirl | 93575610 | £ 13,30 | 1 |
| 22 | symbol Mono | 93576610 | £ 13,30 | 1 |
| 23 | symbol tub | 93577610 | £ 13,30 | 1 |
| 24 | symbol body shower | 93578610 | £ 13,30 | 1 |
| 25 | symbol ON/OFF | 93579610 | £ 13,30 | 1 |
| a | concealed item | 01800180 | £ 163,00 | 1 |