

AXOR Citterio E

Shut-off/ diverter valve Trio/ Quattro 120/120 for concealed installation

Finish: **Chrome** Article Number: **36772000**



product features

- 3 consumers: in a joined installation (10 mm distance) with no.36702000 and no.36771000, please use the thermostat module finish set for 3 consumers with 3 escutcheons 12x12 no.36704000 and the basic set no.36708180
- 3 consumers: in a freely-arranged installation (distance greater than 10 mm), the basic set no.15930180 must be used
- 2 consumers: in a joined installation (10 mm distance) with no.36702000, the basic set no.36770180 must be used
- 2 consumers: in a freely-arranged installation (distance greater than 10 mm), the basic set no.15981180 must be used
- 3 functions
- simultaneous utilization of 2 functions
- connection dimension: DN15

Article Details

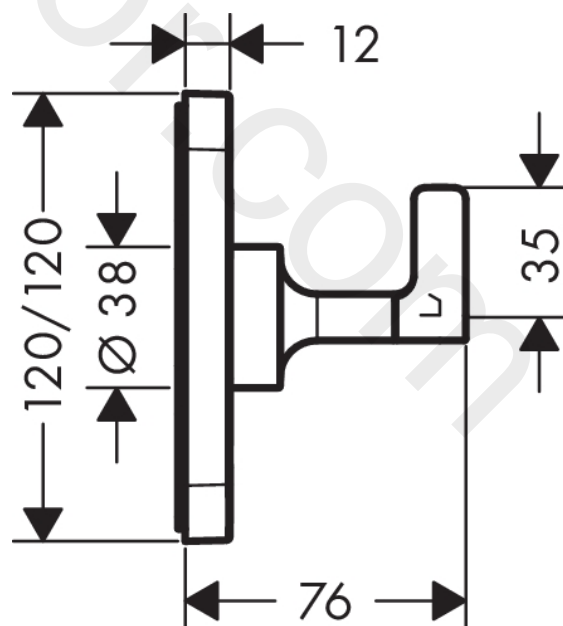
Price excl. VAT

166,67 £

Product image



Scale drawing

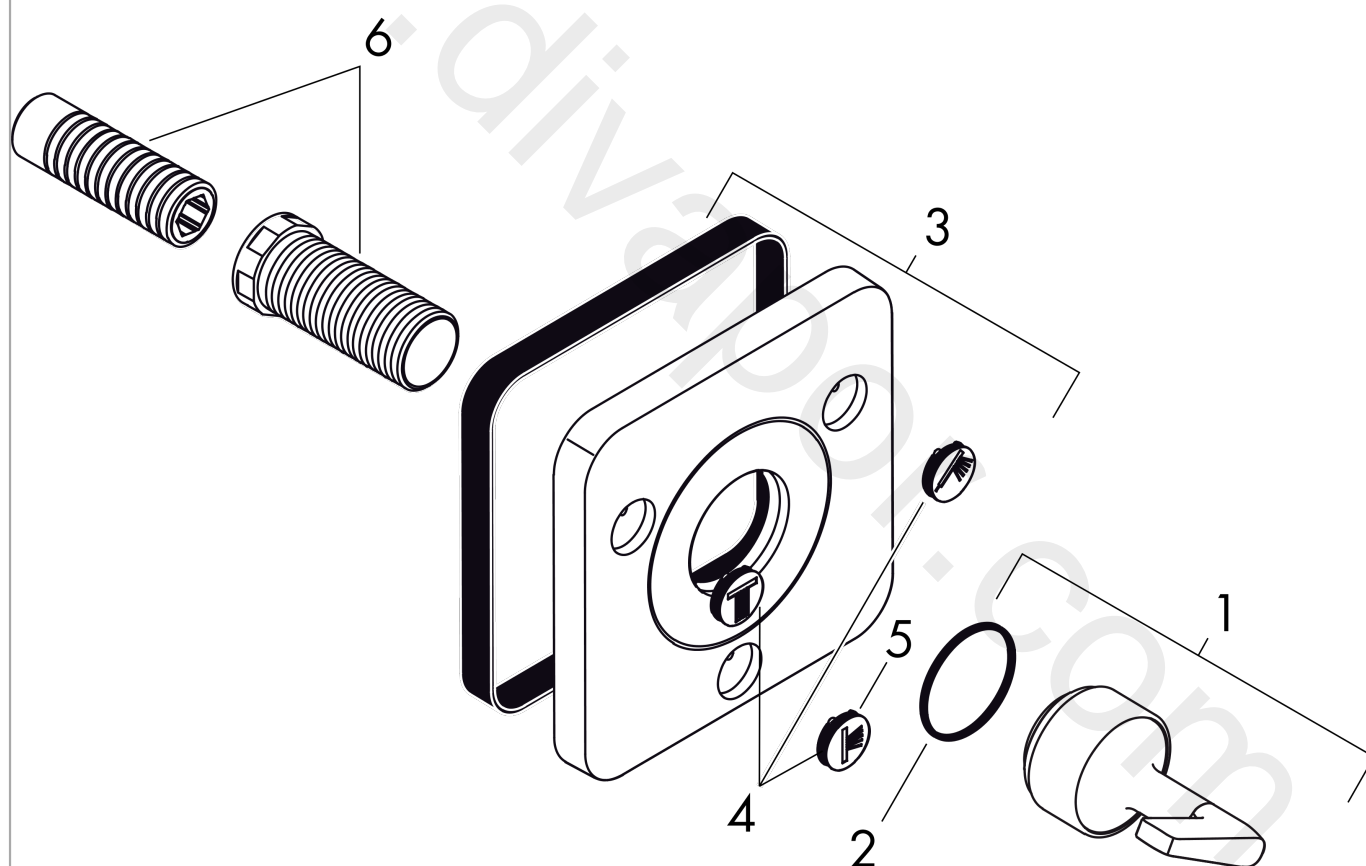


AXOR Citterio E
Shut-off/ diverter valve Trio/ Quattro 120/120 for concealed installation
Finish: **Chrome** Article Number: **36772000**



Exploded Drawing

Year of production: >11/14



AXOR Citterio E
Shut-off/ diverter valve Trio/ Quattro 120/120 for concealed installation
 Finish: **Chrome** Article Number: **36772000**



Spare part list

Year of production: >11/14

Pos.		Article Number	Price	PU
1	handle	92441000	£ 224,00	1
2	O-ring 30x1,5	98433000	£ 3,30	1
3	escutcheon	92515000	£ 110,00	1
4	set of symbols	92541000	£ 110,00	1
5	O-ring 13x2	98128000	£ 3,30	1
6	fixing set	96393000	£ 35,00	1
a	base body	36770180	£ 380,00	1
b	extension 25 mm	96370000	£ 84,00	1
c	concealed item	15981180	£ 250,00	1
d	concealed item	15930180	£ 410,00	1