

AXOR ShowerSelect

Thermostat HighFlow for concealed installation round for 1 function and additional outlet

Finish: **Chrome** Article Number: **36726000**



product features

- 1 function and 1 additional outlet
- thermostat cartridge
- Select push-button on/off control for 1 outlet
- maximum flow rate at 3 bar: 59 l/min
- flow rate hand shower connection at 3 bar: 34 l/min
- flow rate upper outlet: 59 l/min
- min. operating pressure: 1 bar
- max. operating pressure: 10 bar
- safety stop at 40 °C
- temperature limitation adjustable
- thermostat is delivered with button hand shower
- connection type: basic set
- WRAS 2211001 - Approval letter
- WRAS 2211001

Article Details

Price excl. VAT

725,00 £

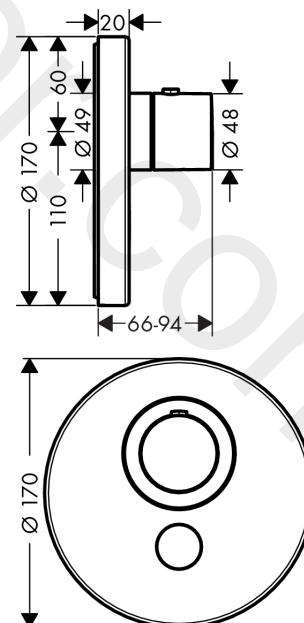
Technology



Product image



Scale drawing



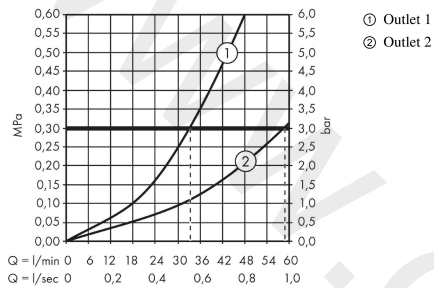
AXOR ShowerSelect

Thermostat HighFlow for concealed installation round for 1 function and additional outlet

Finish: **Chrome** Article Number: **36726000**



Flowchart

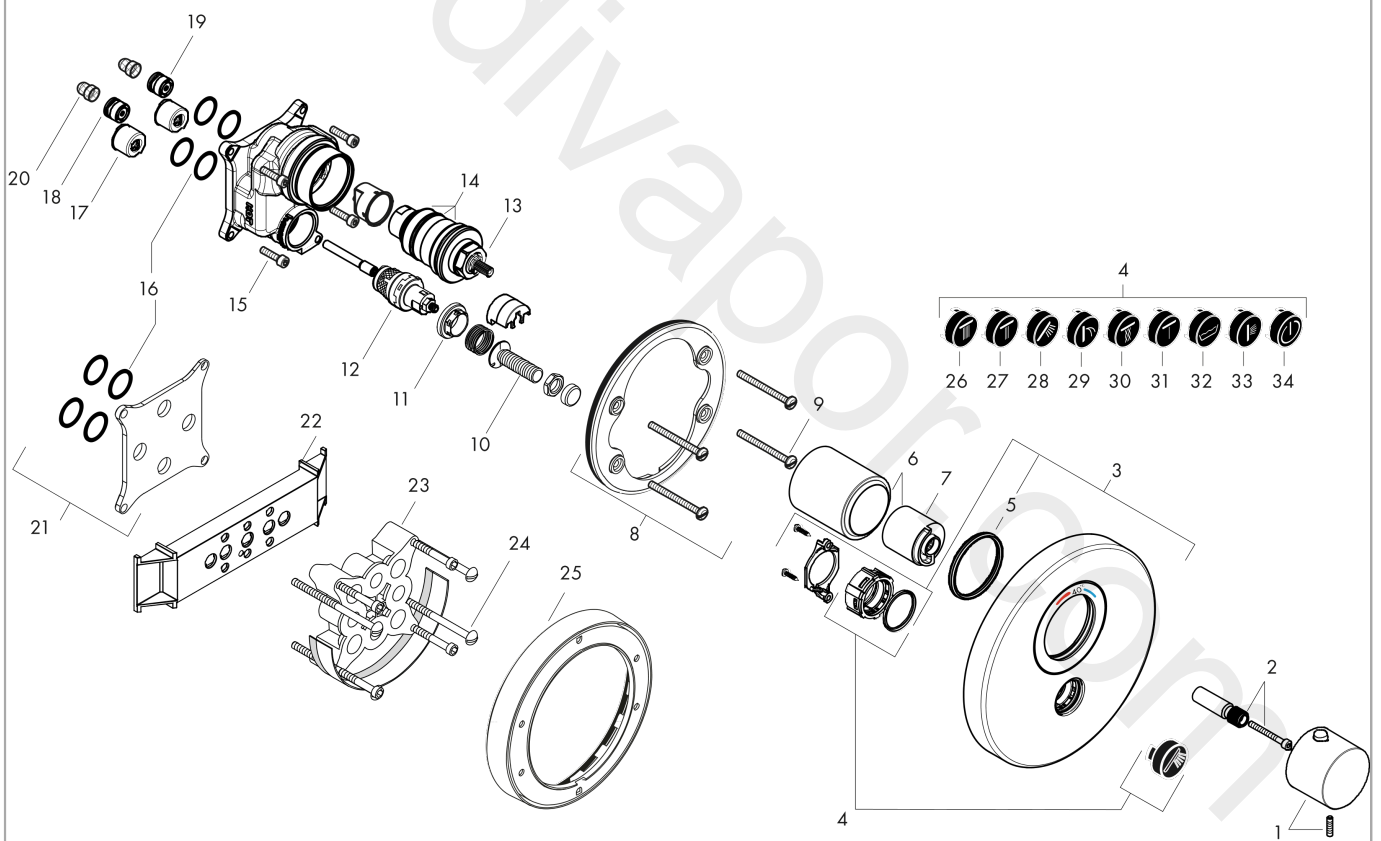


AXOR ShowerSelect
Thermostat HighFlow for concealed installation round for 1 function and additional outlet
 Finish: **Chrome** Article Number: **36726000**



Exploded Drawing

Year of production: >05/15



AXOR ShowerSelect

Thermostat HighFlow for concealed installation round for 1 function and additional outlet

Finish: **Chrome** Article Number: **36726000**



Spare part list

Year of production: >05/15

Pos.		Article Number	Price	PU
1	handle for thermostat	92534000	£ 96,00	1
2	adapter for handle	98701000	£ 9,00	1
3	escutcheon Ø 170 mm	92662000	£ 275,00	1
4	set of symbols	92544610	£ 137,00	1
5	O-ring 48x4	98414000	£ 9,00	1
6	sleeve	98679000	£ 79,00	1
7	safety set for temperature control	97334000	£ 13,30	1
8	sub plate	96447000	£ 51,00	1
9	set of fixing screws	96454000	£ 9,00	1
10	Select-adapter	92219000	£ 6,10	1
11	nut	98368000	£ 13,30	1
12	shut off unit	95758000	£ 110,00	1
13	thermostat cartridge	96633000	£ 137,00	1
14	sealing set	96636000	£ 51,00	1
15	set of screws	96525000	£ 9,00	1
16	O-ring 16x2	98133000	£ 3,30	1
17	noise reduction	94073000	£ 25,00	1
18	non return valve (pressure-resistant up to 2 MPa)	92594000	£ 16,10	1
19	non return valve	97980000	£ 16,10	1
20	filter	98513000	£ 3,30	1
21	compensation set 1°	95521000	£ 173,00	1
22	fit-up aid	92540000	£ 14,10	1
23	extension 25 mm	13595000	£ 75,00	1
24	set of fixing screws	97747000	£ 3,30	1
25	extension 22 mm (Ø 170 mm)	13596000	£ 72,00	1
26	symbol head shower Rain large	93571610	£ 13,30	1
27	symbol head shower Rain small	93572610	£ 13,30	1
28	symbol handshower	93573610	£ 13,30	1
29	symbol Flood jet	93574610	£ 13,30	1
30	symbol Whirl	93575610	£ 13,30	1
31	symbol Mono	93576610	£ 13,30	1
32	symbol tub	93577610	£ 13,30	1
33	symbol body shower	93578610	£ 13,30	1
34	symbol ON/OFF	93579610	£ 13,30	1

AXOR ShowerSelect
Thermostat HighFlow for concealed installation round for 1 function and additional outlet
Finish: **Chrome** Article Number: **36726000**



Spare part list

Year of production: >05/15

Pos.		Article Number	Price	PU
a	concealed item	01800180	£ 163,00	1
b	adapter for exchanged connections	93181000	£ 275,00	1
c	fixation set	96615000	£ 59,00	1
d	Grease	90920000	£ 16,10	1