

AXOR ShowerSolutions
Thermostat for concealed installation round for 2 functions
 Finish: **Stainless Steel Optic** Article Number: **36723800**



product features

- 2 functions
- thermostat cartridge
- Select push-button on/off control for 2 outlets
- simultaneous use of several outlets
- maximum flow rate at 3 bar: 29,7 l/min
- flow rate upper outlet: 25 l/min
- flow rate lower outlet: 23 l/min
- flow rate by simultaneous use of all outlets: 29,7 l/min
- safety stop at 40 °C
- temperature limitation adjustable
- thermostat is delivered with buttons Rain large and hand shower
- connection type: basic set
- WRAS 2004021
- WRAS 2004021 - WRAS Approval Letter

Article Details

Price excl. VAT 1.150,00 £

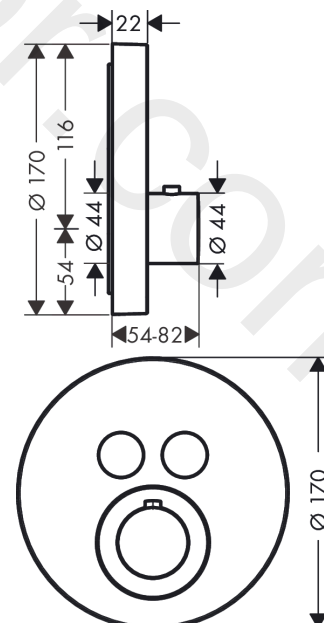
Technology



Product image



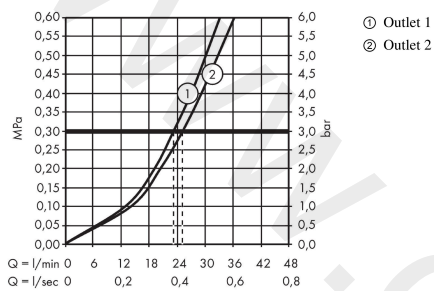
Scale drawing



AXOR ShowerSolutions
Thermostat for concealed installation round for 2 functions
Finish: **Stainless Steel Optic** Article Number: **36723800**



Flowchart

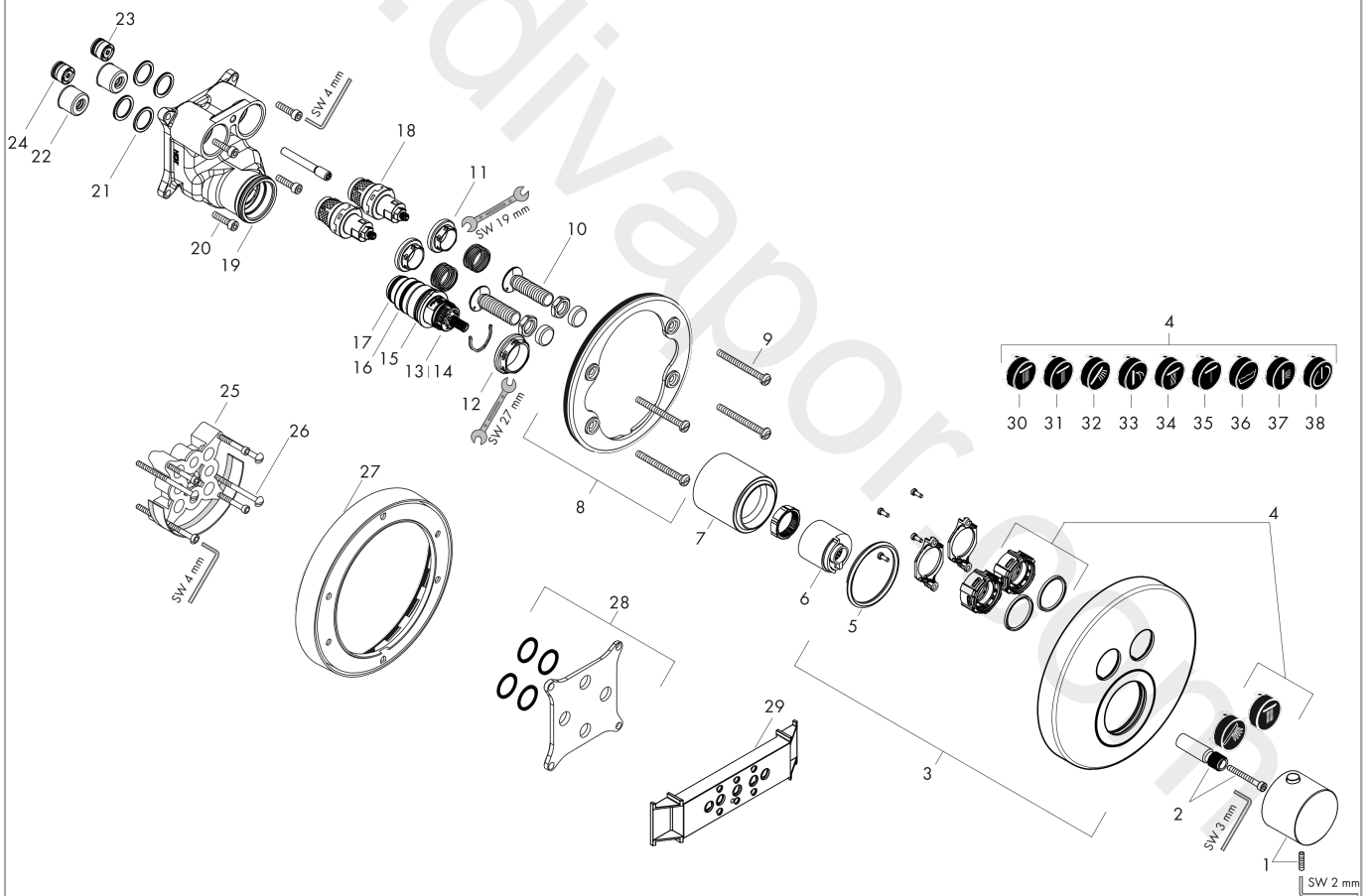


AXOR ShowerSolutions
Thermostat for concealed installation round for 2 functions
 Finish: **Stainless Steel Optic** Article Number: **36723800**



Exploded Drawing

Year of production: >11/16



AXOR ShowerSolutions
Thermostat for concealed installation round for 2 functions
 Finish: **Stainless Steel Optic** Article Number: **36723800**



Spare part list

Year of production: >11/16

| Pos. | | Article Number | Price | PU |
|------|---|----------------|----------|----|
| 1 | handle for thermostat | 92534800 | £ 142,00 | 1 |
| 2 | handle fixing set | 95843000 | £ 9,00 | 1 |
| 3 | escutcheon Ø 170 mm | 92643800 | £ 345,00 | 1 |
| 4 | set of symbols | 92544610 | £ 137,00 | 1 |
| 5 | O-Ring 48x3 | 95508000 | £ 3,30 | 1 |
| 6 | safety set for temperature control | 97334000 | £ 13,30 | 1 |
| 7 | sleeve | 92546800 | £ 118,50 | 1 |
| 8 | sub plate | 96447000 | £ 51,00 | 1 |
| 9 | set of fixing screws | 96454000 | £ 9,00 | 1 |
| 10 | Select-adapter | 92219000 | £ 6,10 | 1 |
| 11 | nut | 98368000 | £ 13,30 | 1 |
| 12 | nut | 98913000 | £ 20,50 | 1 |
| 13 | thermostat cartridge | 98282000 | £ 110,00 | 1 |
| 14 | cartridge for exchanged connections | 92373000 | £ 275,00 | 1 |
| 15 | O-ring 25x2,5 | 92146000 | £ 16,10 | 1 |
| 16 | O-ring 25x1,5 | 98146000 | £ 3,30 | 1 |
| 17 | O-ring 20x1,5 | 98197000 | £ 3,30 | 1 |
| 18 | shut off unit | 95758000 | £ 110,00 | 1 |
| 19 | O-ring 36x2 | 98156000 | £ 3,30 | 1 |
| 20 | set of screws | 96525000 | £ 9,00 | 1 |
| 21 | O-ring 16x2 | 98133000 | £ 3,30 | 1 |
| 22 | noise reduction | 94073000 | £ 25,00 | 1 |
| 23 | non return valve | 97980000 | £ 16,10 | 1 |
| 24 | non return valve (pressure-resistant up to 2 MPa) | 92594000 | £ 16,10 | 1 |
| 25 | extension 25 mm | 13595000 | £ 75,00 | 1 |
| 26 | set of fixing screws | 97747000 | £ 3,30 | 1 |
| 27 | extension 22 mm (Ø 170 mm) | 13596800 | £ 108,00 | 1 |
| 28 | compensation set 1° | 95521000 | £ 173,00 | 1 |
| 29 | fit-up aid | 92540000 | £ 14,10 | 1 |
| 30 | symbol head shower Rain large | 93571610 | £ 13,30 | 1 |
| 31 | symbol head shower Rain small | 93572610 | £ 13,30 | 1 |
| 32 | symbol handshower | 93573610 | £ 13,30 | 1 |
| 33 | symbol Flood jet | 93574610 | £ 13,30 | 1 |
| 34 | symbol Whirl | 93575610 | £ 13,30 | 1 |

AXOR ShowerSolutions
Thermostat for concealed installation round for 2 functions
 Finish: **Stainless Steel Optic** Article Number: **36723800**



Spare part list

Year of production: >11/16

| Pos. | | Article Number | Price | PU |
|------|-----------------------------------|----------------|----------|----|
| 35 | symbol Mono | 93576610 | £ 13,30 | 1 |
| 36 | symbol tub | 93577610 | £ 13,30 | 1 |
| 37 | symbol body shower | 93578610 | £ 13,30 | 1 |
| 38 | symbol ON/OFF | 93579610 | £ 13,30 | 1 |
| a | concealed item | 01800180 | £ 163,00 | 1 |
| b | adapter for exchanged connections | 93181000 | £ 275,00 | 1 |