

AXOR ShowerSolutions
Thermostat for concealed installation round for 2 functions
 Finish: **Polished Red Gold** Article Number: **36723300**



product features

- 2 functions
- thermostat cartridge
- Select push-button on/off control for 2 outlets
- simultaneous use of several outlets
- maximum flow rate at 3 bar: 29,7 l/min
- flow rate upper outlet: 25 l/min
- flow rate lower outlet: 23 l/min
- flow rate by simultaneous use of all outlets: 29,7 l/min
- safety stop at 40 °C
- temperature limitation adjustable
- thermostat is delivered with buttons Rain large and hand shower
- connection type: basic set
- WRAS 2004021
- WRAS 2004021 - WRAS Approval Letter

Article Details

Price excl. VAT 1.150,00 £

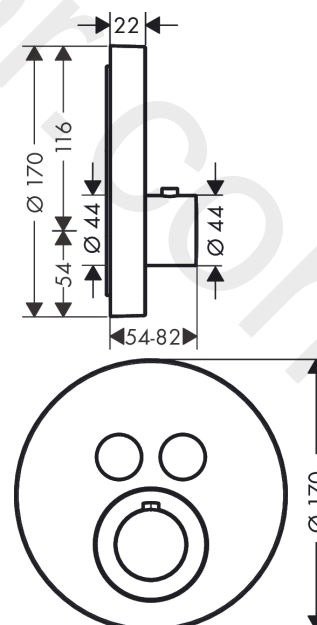
Technology



Product image



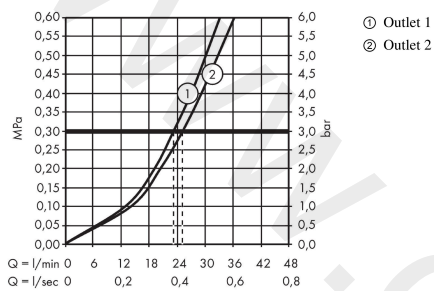
Scale drawing



AXOR ShowerSolutions
Thermostat for concealed installation round for 2 functions
Finish: **Polished Red Gold** Article Number: **36723300**



Flowchart

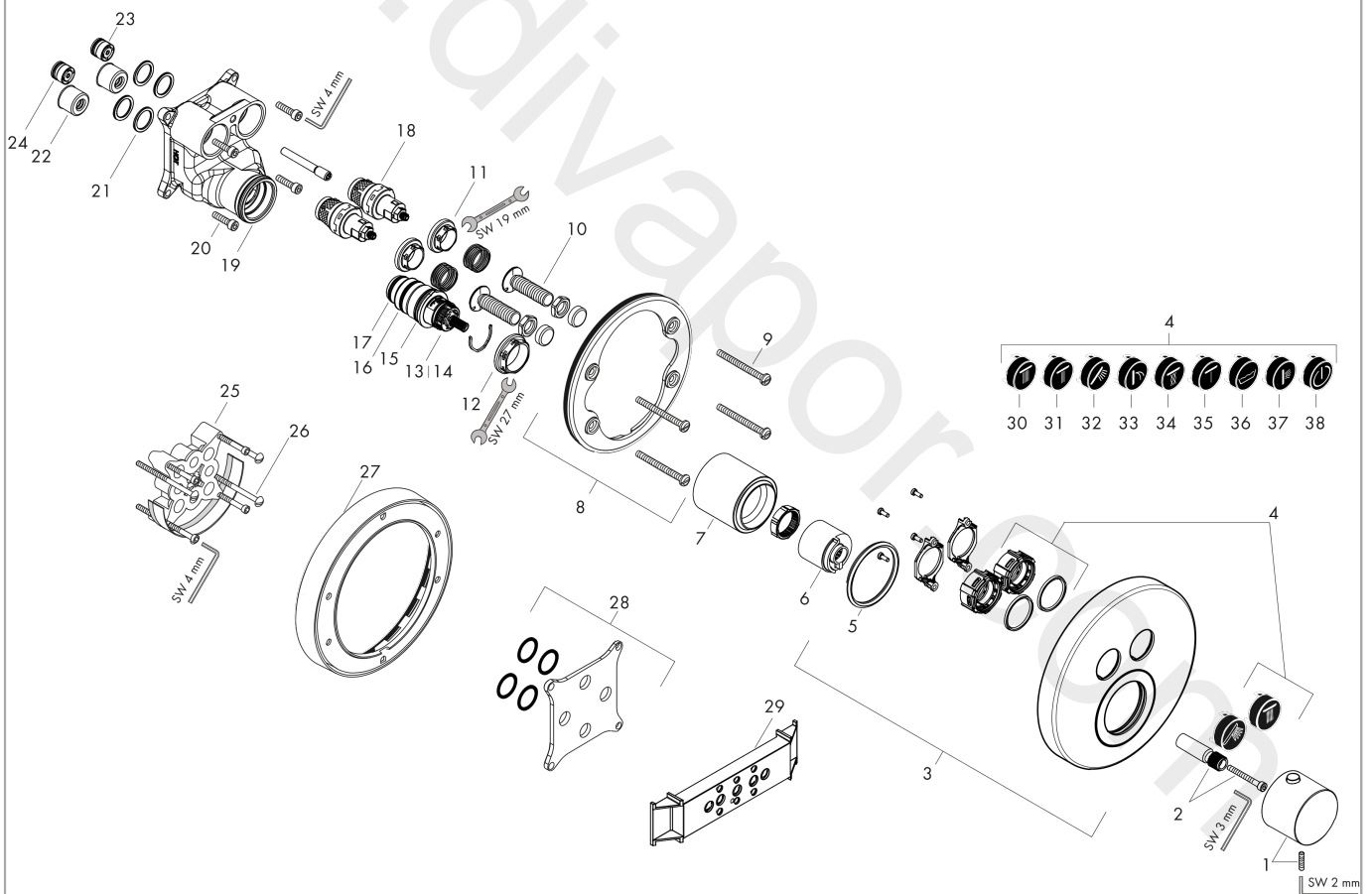


AXOR ShowerSolutions
Thermostat for concealed installation round for 2 functions
 Finish: **Polished Red Gold** Article Number: **36723300**



Exploded Drawing

Year of production: >11/16



AXOR ShowerSolutions
Thermostat for concealed installation round for 2 functions
 Finish: **Polished Red Gold** Article Number: **36723300**



Spare part list

Year of production: >11/16

Pos.		Article Number	Price	PU
1	handle for thermostat	92534300	£ 144,00	1
2	handle fixing set	95843000	£ 9,00	1
3	escutcheon Ø 170 mm	92643300	£ 336,00	1
4	set of symbols	92544610	£ 137,00	1
5	O-Ring 48x3	95508000	£ 3,30	1
6	safety set for temperature control	97334000	£ 13,30	1
7	sleeve	92546300	£ 118,50	1
8	sub plate	96447000	£ 51,00	1
9	set of fixing screws	96454000	£ 9,00	1
10	Select-adapter	92219000	£ 6,10	1
11	nut	98368000	£ 13,30	1
12	nut	98913000	£ 20,50	1
13	thermostat cartridge	98282000	£ 110,00	1
14	cartridge for exchanged connections	92373000	£ 275,00	1
15	O-ring 25x2,5	92146000	£ 16,10	1
16	O-ring 25x1,5	98146000	£ 3,30	1
17	O-ring 20x1,5	98197000	£ 3,30	1
18	shut off unit	95758000	£ 110,00	1
19	O-ring 36x2	98156000	£ 3,30	1
20	set of screws	96525000	£ 9,00	1
21	O-ring 16x2	98133000	£ 3,30	1
22	noise reduction	94073000	£ 25,00	1
23	non return valve	97980000	£ 16,10	1
24	non return valve (pressure-resistant up to 2 MPa)	92594000	£ 16,10	1
25	extension 25 mm	13595000	£ 75,00	1
26	set of fixing screws	97747000	£ 3,30	1
27	extension 22 mm (Ø 170 mm)	13596300	£ 108,00	1
28	compensation set 1°	95521000	£ 173,00	1
29	fit-up aid	92540000	£ 14,10	1
30	symbol head shower Rain large	93571610	£ 13,30	1
31	symbol head shower Rain small	93572610	£ 13,30	1
32	symbol handshower	93573610	£ 13,30	1
33	symbol Flood jet	93574610	£ 13,30	1
34	symbol Whirl	93575610	£ 13,30	1

AXOR ShowerSolutions
Thermostat for concealed installation round for 2 functions
 Finish: **Polished Red Gold** Article Number: **36723300**



Spare part list

Year of production: >11/16

Pos.		Article Number	Price	PU
35	symbol Mono	93576610	£ 13,30	1
36	symbol tub	93577610	£ 13,30	1
37	symbol body shower	93578610	£ 13,30	1
38	symbol ON/OFF	93579610	£ 13,30	1
a	concealed item	01800180	£ 163,00	1
b	adapter for exchanged connections	93181000	£ 275,00	1