

**AXOR ShowerSelect**  
**Thermostat HighFlow for concealed installation round**  
 Finish: **Chrome** Article Number: **36721000**



### product features

- thermostat cartridge
- maximum flow rate at 3 bar: 59 l/min
- flow rate upper outlet: 42 l/min
- flow rate lower outlet: 42 l/min
- safety stop at 40 °C
- temperature limitation adjustable
- connection type: basic set
- WRAS 2305061
- WRAS 2305061 - Approval letter 2305061

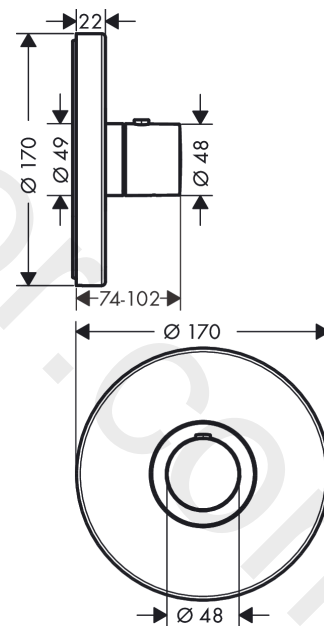
### Article Details

Price excl. VAT 495,83 £

### Product image



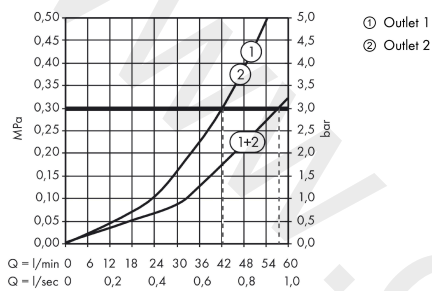
### Scale drawing



**AXOR ShowerSelect**  
**Thermostat HighFlow for concealed installation round**  
Finish: **Chrome** Article Number: **36721000**



## Flowchart

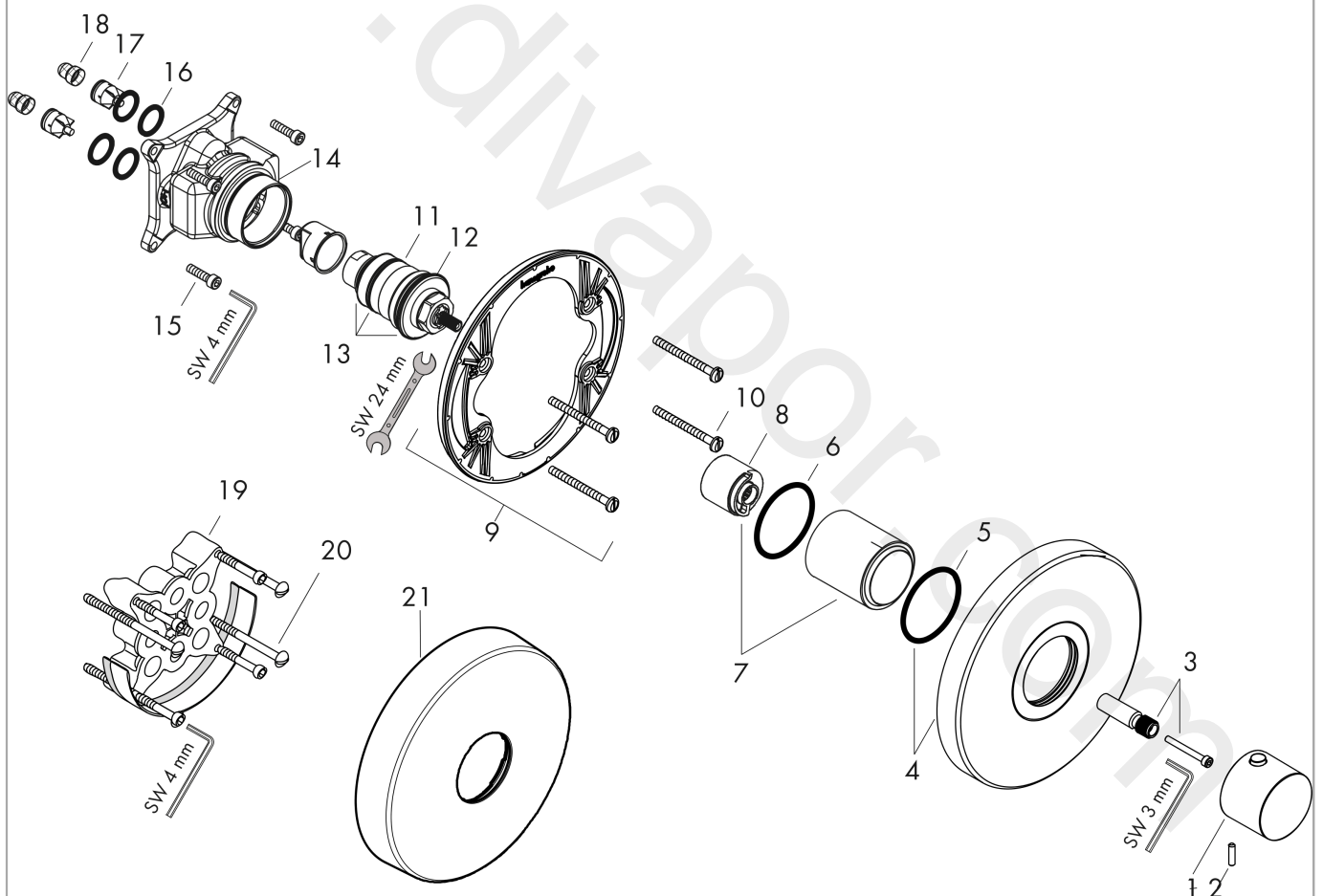


**AXOR ShowerSelect**  
**Thermostat HighFlow for concealed installation round**  
Finish: **Chrome** Article Number: **36721000**



## Exploded Drawing

Year of production: >05/15



**AXOR ShowerSelect**  
**Thermostat HighFlow for concealed installation round**  
 Finish: **Chrome** Article Number: **36721000**



## Spare part list

Year of production: >05/15

Pos.		Article Number	Price	PU
1	handle for thermostat	92534000	£ 96,00	1
2	hollow set screw M4x16	97663000	£ 3,30	1
3	adapter for handle	98701000	£ 9,00	1
4	escutcheon Ø 170 mm	92664000	£ 224,00	1
5	O-Ring 48x3	95508000	£ 3,30	1
6	O-ring 45x1,5	92542000	£ 3,30	1
7	sleeve	98679000	£ 79,00	1
8	safety set for temperature control	97334000	£ 13,30	1
9	sub plate	96447000	£ 51,00	1
10	set of fixing screws	96454000	£ 9,00	1
11	thermostat cartridge	96633000	£ 137,00	1
12	O-ring 35x2	92604000	£ 6,10	1
13	sealing set	96636000	£ 51,00	1
14	O-ring 43x1,5	98148000	£ 3,30	1
15	set of screws	96525000	£ 9,00	1
16	O-ring 16x2	98133000	£ 3,30	1
17	set of non return valves DW 15	97350000	£ 20,50	1
18	filter	98513000	£ 3,30	1
19	extension 25 mm	13595000	£ 75,00	1
20	set of fixing screws	97747000	£ 3,30	1
21	extension 22 mm (Ø 170 mm)	13596000	£ 72,00	1
a	concealed item	01800180	£ 163,00	1
b	adapter for exchanged connections	93181000	£ 275,00	1