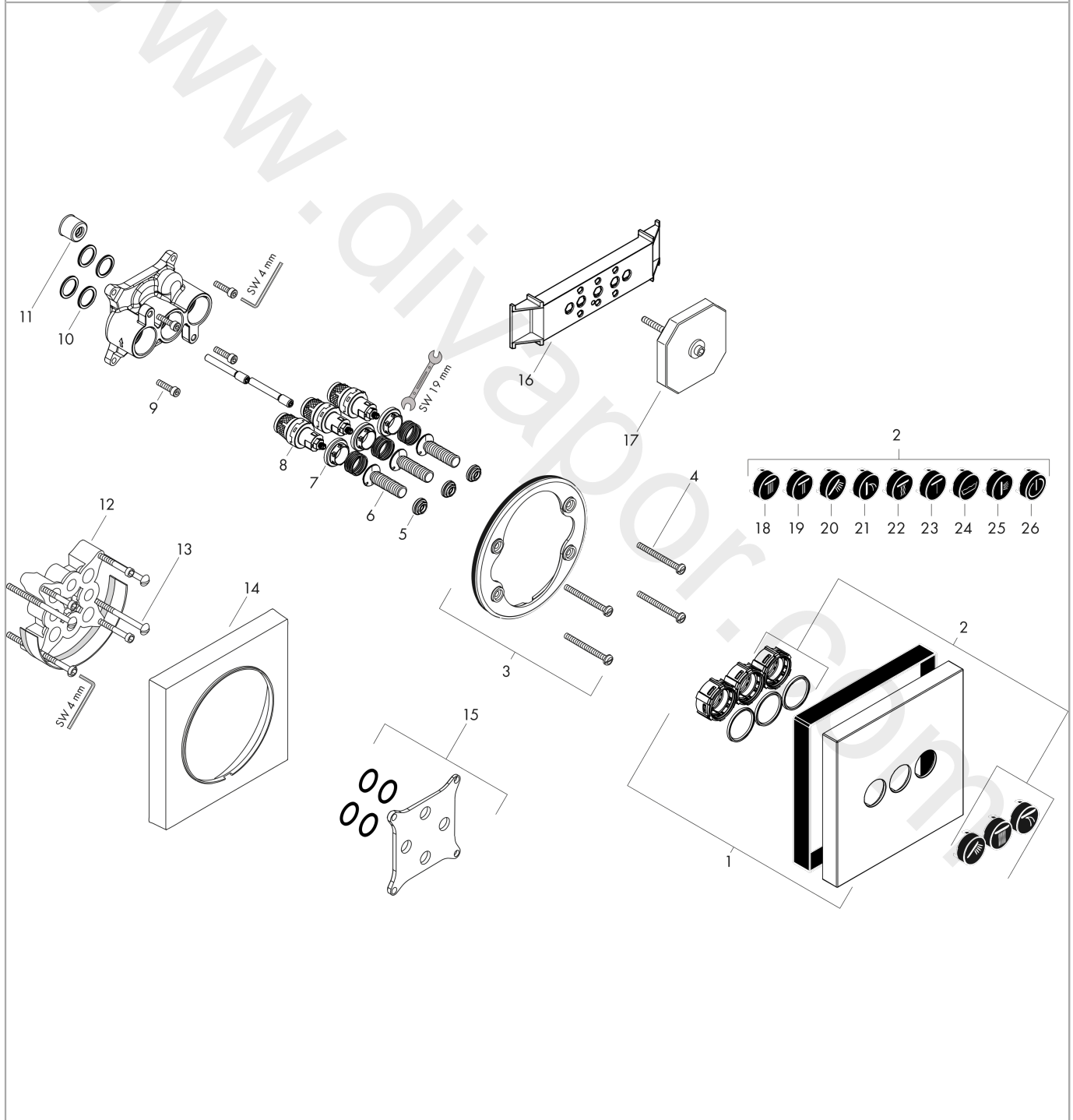


**AXOR ShowerSelect**  
**Valve for concealed installation square for 3 functions**  
 Surfaces: Article Number: **36717350**



## Exploded Drawing

Year of production: **07/19 - 04/20**



**AXOR ShowerSelect**  
**Valve for concealed installation square for 3 functions**  
 Surfaces: Article Number: **36717350**



## Spare part list

Year of production: **07/19 - 04/20**

Pos.		Article Number	Price	PU
1	escutcheon 170 / 170 mm	92659XXX	> £ 275,00	-
2	set of symbols	92544610	£ 137,00	1
3	holder for escutcheon	98793000	£ 43,00	1
4	set of fixing screws	96454000	£ 9,00	1
5	nut and flange	92696000	£ 16,10	1
6	Select-adapter	92219000	£ 6,10	1
7	nut	98368000	£ 13,30	1
8	shut off unit	95758000	£ 110,00	1
9	set of screws	96525000	£ 9,00	1
10	O-ring 16x2	98133000	£ 3,30	1
11	noise reduction	94073000	£ 25,00	1
12	extension 25 mm	13595000	£ 75,00	1
13	set of fixing screws	97747000	£ 3,30	1
14	extension 22 mm	97407XXX	> £ 72,00	-
15	compensation set 1°	95521000	£ 173,00	1
16	fit-up aid	92540000	£ 14,10	1
17	flushing unit complete	15956000	-	1
18	symbol head shower Rain large	93571610	£ 13,30	1
19	symbol head shower Rain small	93572610	£ 13,30	1
20	symbol handshower	93573610	£ 13,30	1
21	symbol Flood jet	93574610	£ 13,30	1
22	symbol Whirl	93575610	£ 13,30	1
23	symbol Mono	93576610	£ 13,30	1
24	symbol tub	93577610	£ 13,30	1
25	symbol body shower	93578610	£ 13,30	1
26	symbol ON/OFF	93579610	£ 13,30	1