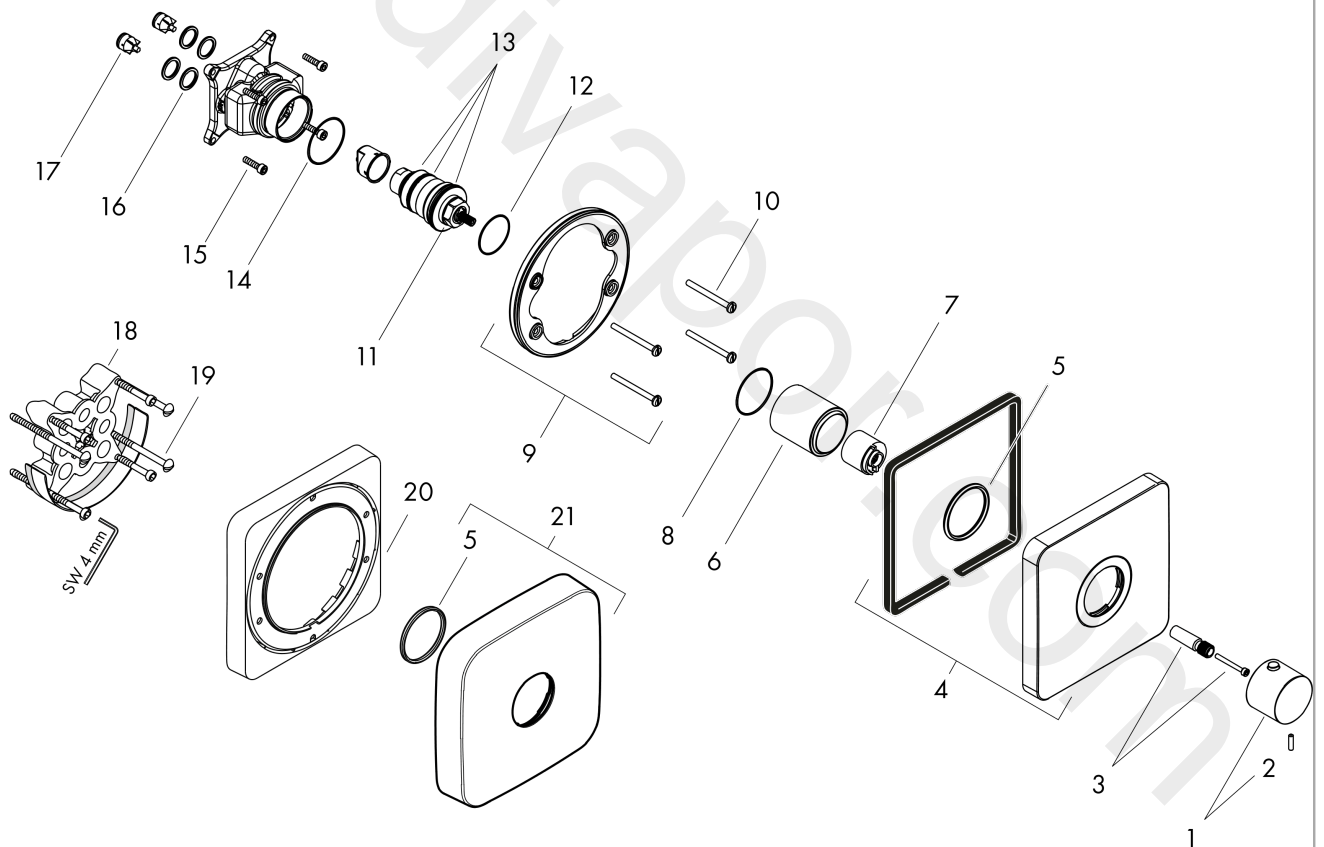


**AXOR ShowerSelect**  
**Thermostat HighFlow for concealed installation softsquare**  
Surfaces: Article Number: **36711930**



## Exploded Drawing

Year of production: **11/16 - 12/19**



**AXOR ShowerSelect**  
**Thermostat HighFlow for concealed installation softsquare**  
 Surfaces: Article Number: **36711930**



## Spare part list

Year of production: **11/16 - 12/19**

Pos.		Article Number	Price	PU
1	handle for thermostat	92534930	£ 142,00	1
2	hollow set screw M4x16	97663000	£ 3,30	1
3	adapter for handle	98701000	£ 9,00	1
4	escutcheon 170 / 170 mm	92535930	£ 412,50	1
5	O-ring 48x4	98414000	£ 9,00	1
6	sleeve	95331930	£ 96,00	1
7	safety set for temperature control	97334000	£ 13,30	1
8	O-ring 45x1,5	92542000	£ 3,30	1
9	holder for escutcheon	98793000	£ 43,00	1
10	set of fixing screws	96454000	£ 9,00	1
11	set of screws	96525000	£ 9,00	1
12	thermostat cartridge	96633000	£ 137,00	1
13	O-ring 35x2	92604000	£ 6,10	1
14	sealing set	96636000	£ 51,00	1
15	O-ring 43x1,5	98148000	£ 3,30	1
16	O-ring 16x2	98133000	£ 3,30	1
17	set of non return valves DW 15	97350000	£ 20,50	1
18	extension 25 mm	13595000	£ 75,00	1
19	set of fixing screws	97747000	£ 3,30	1
20	extension 22 mm	98860000	£ 84,00	1
21	escutcheon height = 33 mm (when wall is not deep enough).	14971930	£ 130,50	1
a	concealed item	01800180	£ 163,00	1
b	adapter for exchanged connections	93181000	£ 275,00	1