

AXOR Citterio E

Thermostatic module 380/120 for concealed installation for 3 functions with escutcheons

Finish: **Brushed Nickel** Article Number: **36704820**



product features

- consists of: shower thermostat, shut-off/ diverter valve, shut-off valve
- 3 functions
- thermostat cartridge
- simultaneous utilization of 2 functions
- maximum flow rate at 3 bar: 42 l/min
- flow rate lower outlet: 37,9 l/min
- Flow rate left and right: 37,9 l/min
- combination of highflow thermostat with shut-off valve and Quattro diverter valve for controlling 3 consumers
- safety stop at 40 °C
- temperature limitation adjustable
- connection dimension: DN20
- connection type: basic set

Article Details

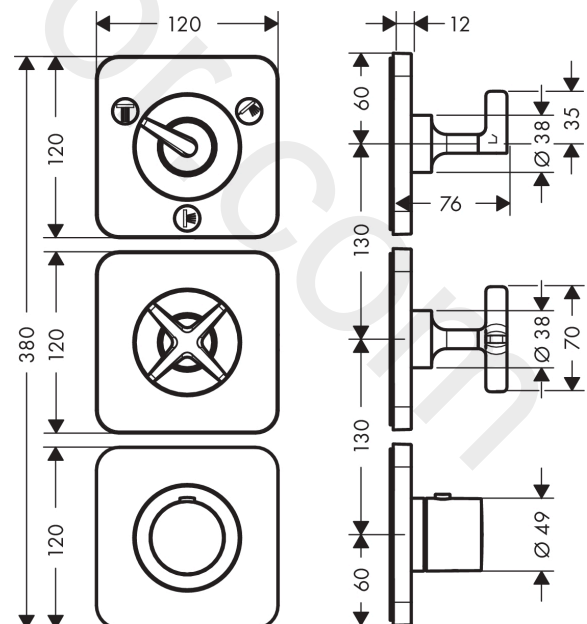
Price excl. VAT

1.175,00 £

Product image



Scale drawing



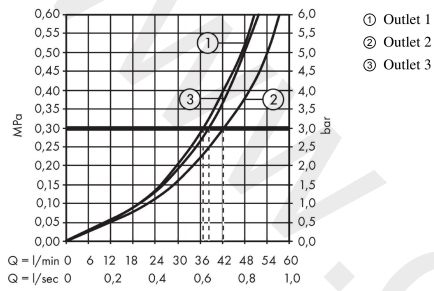
AXOR Citterio E

Thermostatic module 380/120 for concealed installation for 3 functions with escutcheons

Finish: **Brushed Nickel** Article Number: **36704820**



Flowchart

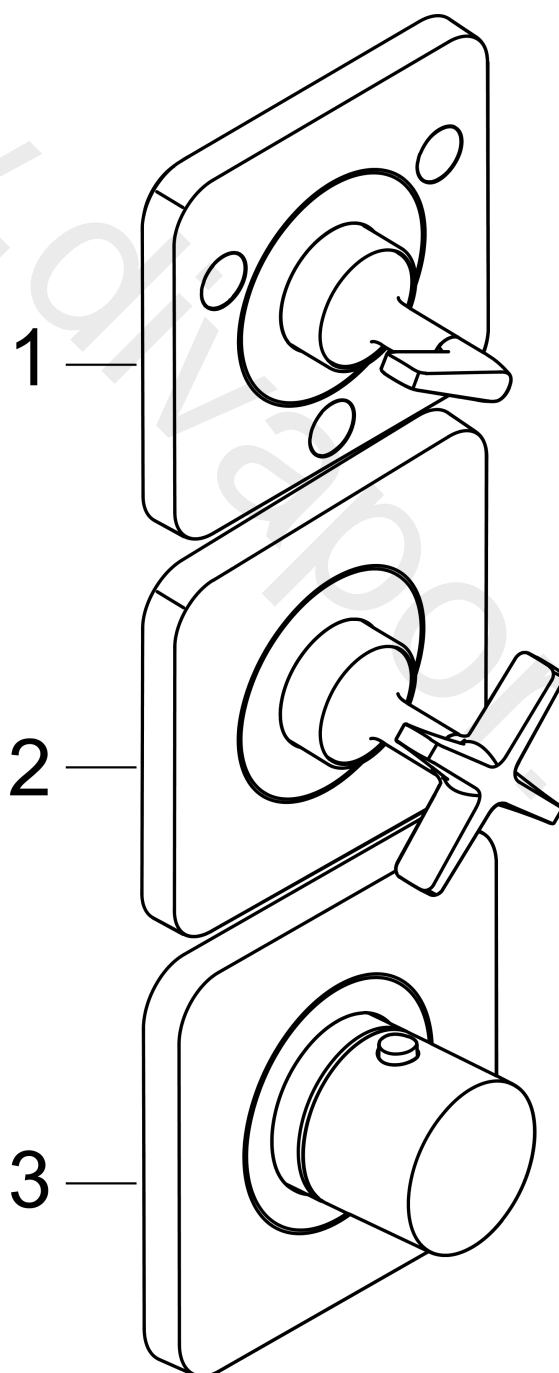


AXOR Citterio E
Thermostatic module 380/120 for concealed installation for 3 functions with escutcheons
Finish: **Brushed Nickel** Article Number: **36704820**



Exploded Drawing

Year of production: >06/17



AXOR Citterio E

Thermostatic module 380/120 for concealed installation for 3 functions with escutcheons

Finish: **Brushed Nickel** Article Number: **36704820**



Spare part list

Year of production: >06/17

| Pos. | | Article Number | Price | PU |
|------|---------------|----------------|----------|----|
| 1 | Finish set | 36772820 | £ 300,00 | 1 |
| 2 | shut off unit | 36771820 | £ 270,00 | 1 |
| 3 | Thermostat | 36702820 | £ 840,00 | 1 |
| a | base body | 36708180 | £ 790,00 | 1 |