

AXOR Citterio E

Thermostatic module 380/120 for concealed installation for 3 functions with escutcheons

Finish: **Chrome** Article Number: **36704000**



product features

- consists of: shower thermostat, shut-off/ diverter valve, shut-off valve
- 3 functions
- thermostat cartridge
- simultaneous utilization of 2 functions
- maximum flow rate at 3 bar: 42 l/min
- flow rate lower outlet: 37,9 l/min
- Flow rate left and right: 37,9 l/min
- combination of highflow thermostat with shut-off valve and Quattro diverter valve for controlling 3 consumers
- safety stop at 40 °C
- temperature limitation adjustable
- connection dimension: DN20
- connection type: basic set

Article Details

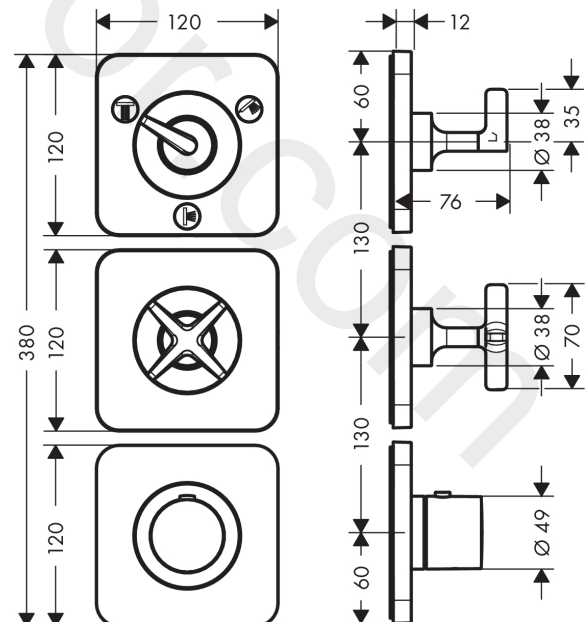
Price excl. VAT

783,33 £

Product image



Scale drawing



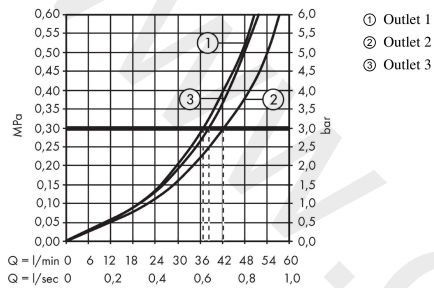
AXOR Citterio E

Thermostatic module 380/120 for concealed installation for 3 functions with escutcheons

Finish: **Chrome** Article Number: **36704000**



Flowchart

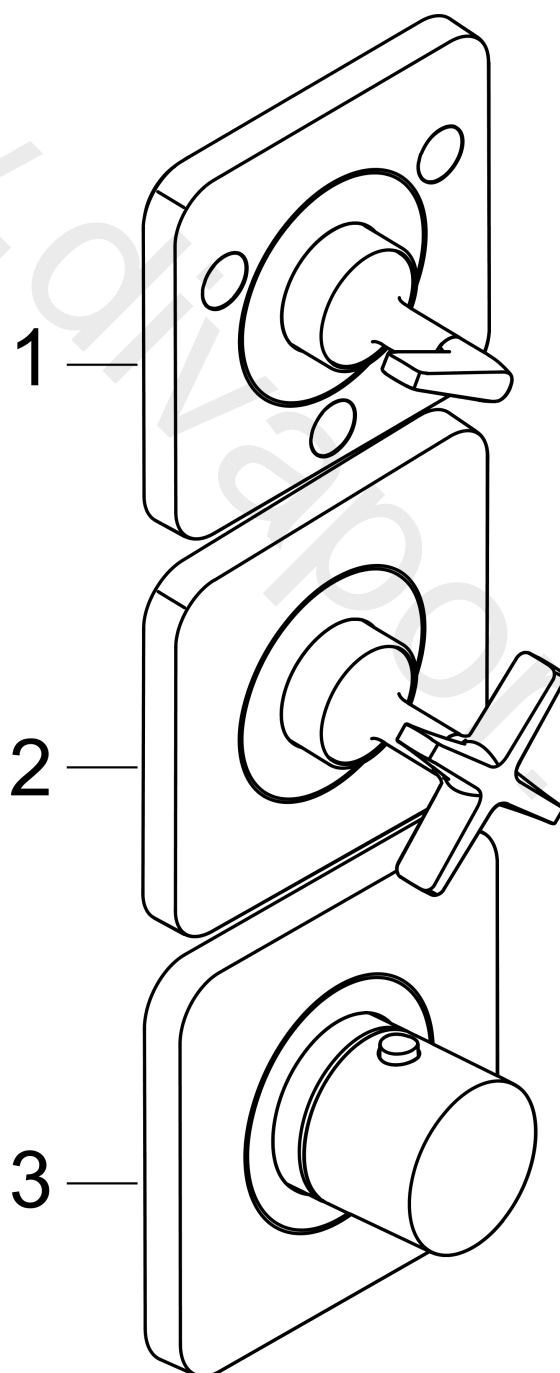


AXOR Citterio E
Thermostatic module 380/120 for concealed installation for 3 functions with escutcheons
Finish: **Chrome** Article Number: **36704000**



Exploded Drawing

Year of production: >12/14



AXOR Citterio E

Thermostatic module 380/120 for concealed installation for 3 functions with escutcheons

Finish: **Chrome** Article Number: **36704000**



Spare part list

Year of production: >12/14

Pos.		Article Number	Price	PU
1	Finish set	36772000	£ 200,00	1
2	shut off unit	36771000	£ 180,00	1
3	Thermostat	36702000	£ 560,00	1
a	base body	36708180	£ 790,00	1