

## AXOR Citterio E

Thermostatic module 380/120 for concealed installation for 2 functions with plate

Finish: **Brushed Red Gold** Article Number: **36703310**



### product features

- 2 functions
- thermostat cartridge
- simultaneous utilization of 2 functions
- maximum flow rate at 3 bar: 42 l/min
- flow rate upper outlet: 42 l/min
- flow rate lower outlet: 40 l/min
- combination of highflow thermostat with shut-off valve and Duo diverter valve for controlling 2 consumers
- safety stop at 40 °C
- temperature limitation adjustable
- connection dimension: DN20
- connection type: basic set

### Article Details

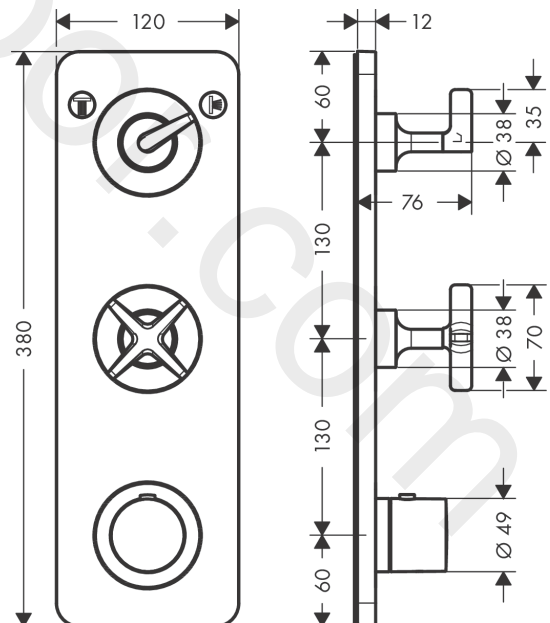
Price excl. VAT

1.137,50 £

### Product image



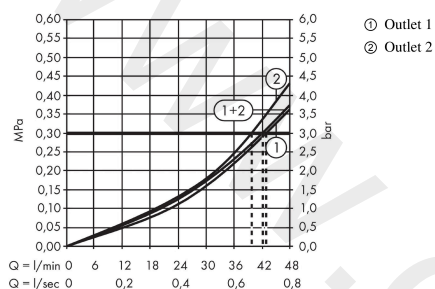
### Scale drawing



**AXOR Citterio E**  
**Thermostatic module 380/120 for concealed installation for 2 functions with plate**  
**Finish: Brushed Red Gold Article Number: 36703310**



## Flowchart

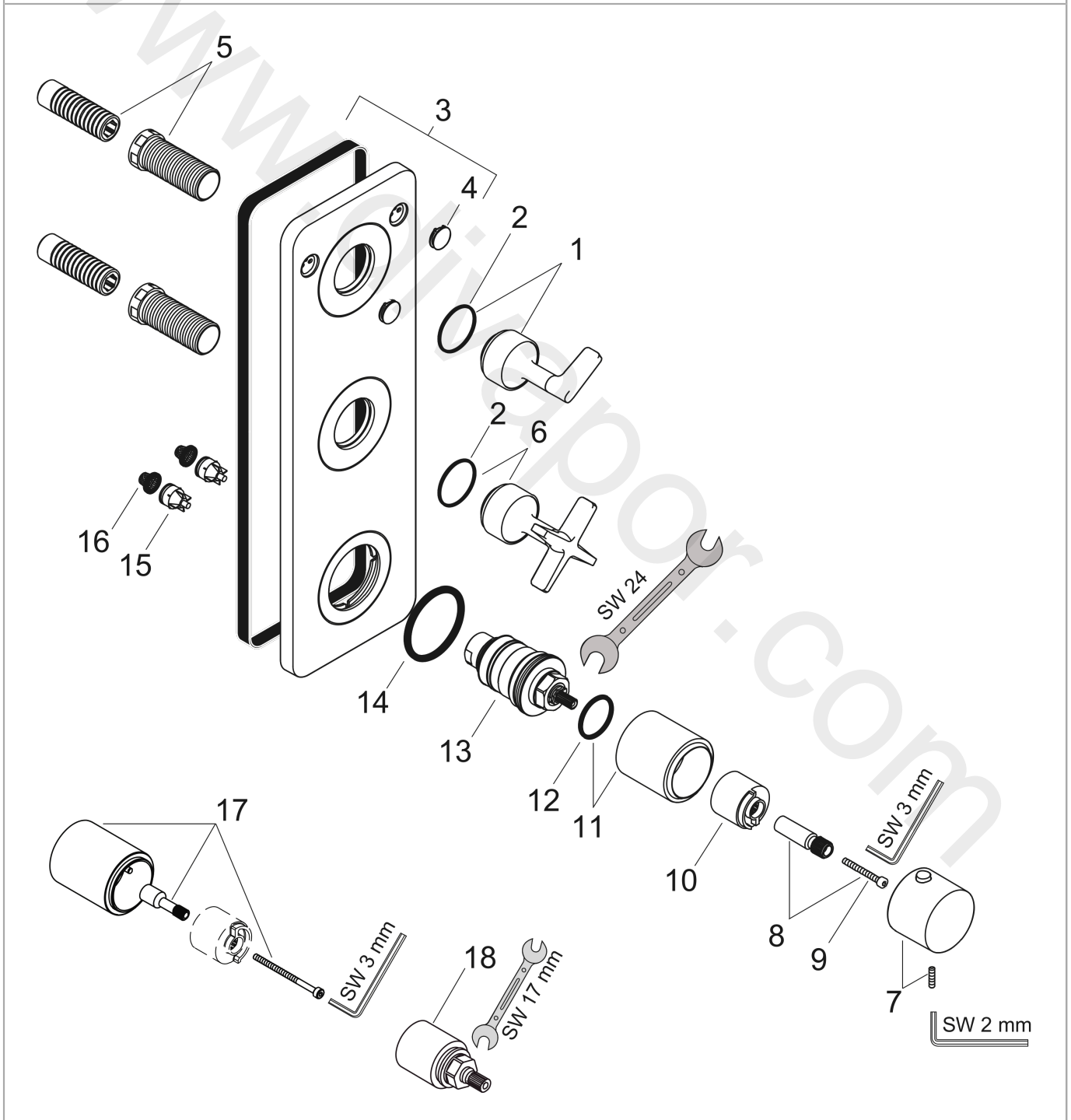


**AXOR Citterio E**  
**Thermostatic module 380/120 for concealed installation for 2 functions with plate**  
 Finish: **Brushed Red Gold** Article Number: **36703310**



## Exploded Drawing

Year of production: >10/16



## AXOR Citterio E

Thermostatic module 380/120 for concealed installation for 2 functions with plate

Finish: **Brushed Red Gold** Article Number: **36703310**



### Spare part list

Year of production: >10/16

Pos.		Article Number	Price	PU
1	handle	92441310	£ 336,00	1
2	O-ring 30x1,5	98433000	£ 3,30	1
3	escutcheon	92442310	£ 550,00	1
4	set of symbols	92541300	£ 163,00	1
5	fixing set	96393000	£ 35,00	1
6	handle	92343310	£ 202,00	1
7	handle for thermostat	92537310	£ 142,00	1
8	adapter for handle	98701000	£ 9,00	1
9	hexagon socket screw M4x35	92160000	£ 3,30	1
10	safety set for temperature control	97334000	£ 13,30	1
11	sleeve	92669310	£ 144,00	1
12	O-ring 28x2,5	98209000	£ 3,30	1
13	thermostat cartridge	96633000	£ 137,00	1
14	O-ring 48x4	98414000	£ 9,00	1
15	set of non return valves DW 15	97350000	£ 20,50	1
16	filter	97973000	£ 16,10	1
17	extension 25 mm	92670000	£ 173,00	1
18	extension 25 mm	96370000	£ 84,00	1
a	base body	36701180	£ 790,00	1
b	Grease	90920000	£ 16,10	1