

AXOR Citterio E
Thermostat 120/120 for concealed installation
 Finish: **Chrome** Article Number: **36702000**



product features

- thermostat cartridge
- maximum flow rate at 3 bar: 59 l/min
- min. operating pressure: 1,5 bar
- max. operating pressure: 10 bar
- safety stop at 40 °C
- temperature limitation adjustable
- non-return valve
- connection dimension: DN20
- connection type: basic set

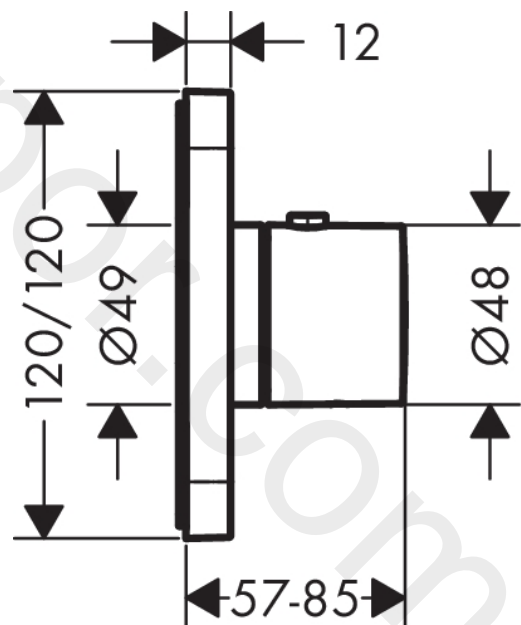
Article Details

Price excl. VAT 466,67 £

Product image



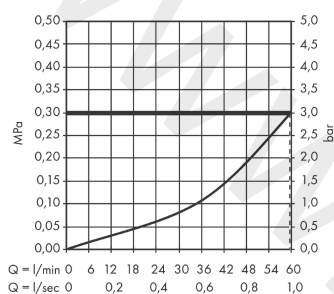
Scale drawing



AXOR Citterio E
Thermostat 120/120 for concealed installation
Finish: **Chrome** Article Number: **36702000**



Flowchart

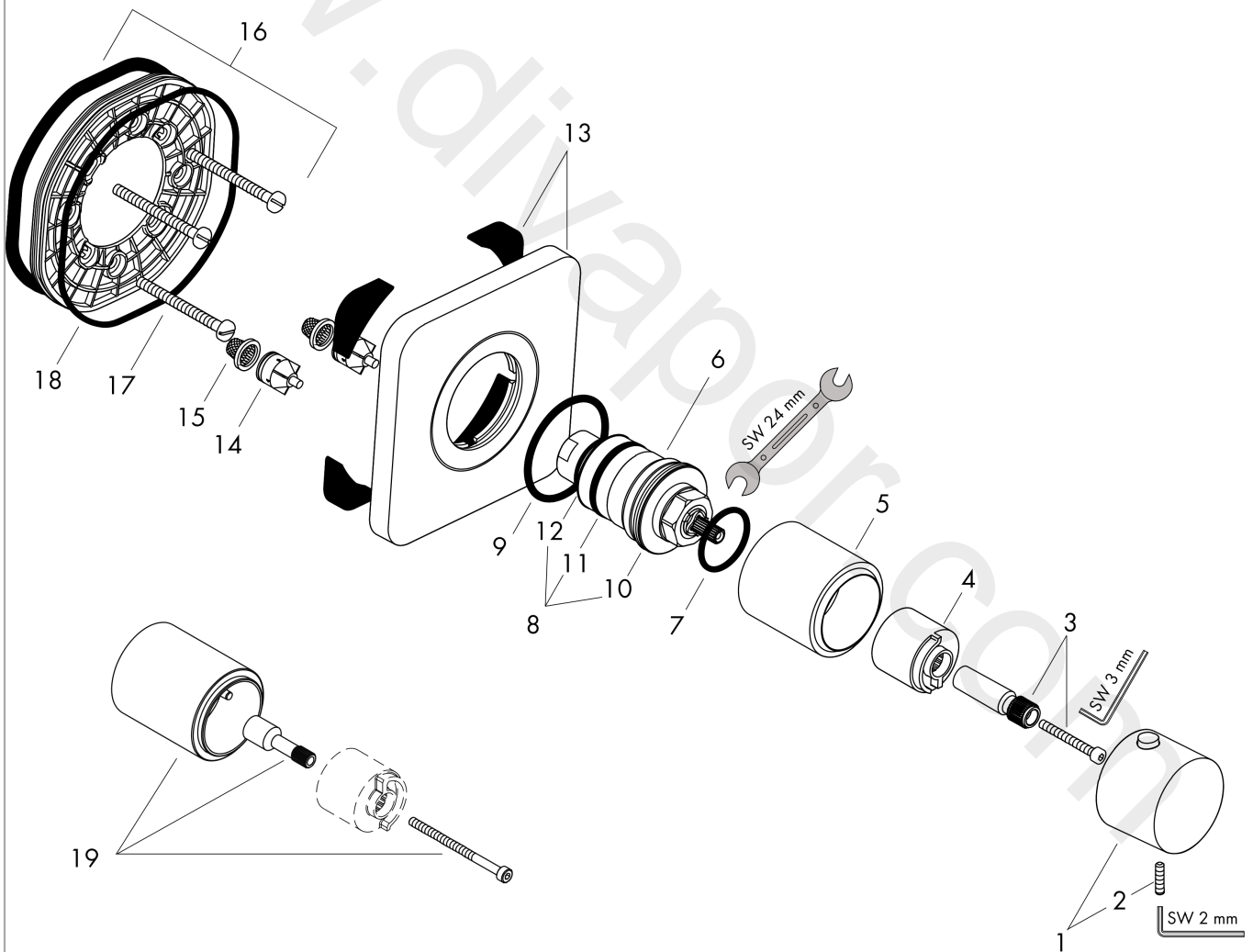


AXOR Citterio E
Thermostat 120/120 for concealed installation
Finish: **Chrome** Article Number: **36702000**



Exploded Drawing

Year of production: >12/14



AXOR Citterio E
Thermostat 120/120 for concealed installation
 Finish: **Chrome** Article Number: **36702000**



Spare part list

Year of production: >12/14

Pos.		Article Number	Price	PU
1	handle for thermostat	92534000	£ 96,00	1
2	hollow set screw M4x16	97663000	£ 3,30	1
3	adapter for handle	98701000	£ 9,00	1
4	safety set for temperature control	97334000	£ 13,30	1
5	sleeve	95331000	£ 64,00	1
6	thermostat cartridge	96633000	£ 137,00	1
7	O-ring 28x2,5	98209000	£ 3,30	1
8	sealing set	96636000	£ 51,00	1
9	O-Ring 48x3	95508000	£ 3,30	1
10	O-ring 38x2,5	98198000	£ 6,10	1
11	O-ring 34x2	98383000	£ 6,10	1
12	O-ring 26x2	98147000	£ 3,30	1
13	escutcheon	92506000	£ 137,00	1
14	set of non return valves DW 15	97350000	£ 20,50	1
15	filter	97973000	£ 16,10	1
16	sub plate	95450000	£ 16,10	1
17	set of fixing screws	96454000	£ 9,00	1
18	O-ring 100x2,5	98417000	£ 13,30	1
19	extension 25 mm	92670000	£ 173,00	1
a	concealed item	10754180	£ 455,00	1