

AXOR Citterio E

Single lever bath mixer for concealed installation with integrated security combination according to EN1717

Finish: **Chrome** Article Number: **36457000**



product features

- 2 functions
- maximum flow rate at 3 bar: 25 l/min
- flow rate for bath spout at 3 bar: 25 l/min
- flow rate of hand shower at 3 bar: 25 l/min
- ceramic cartridge
- temperature limitation adjustable
- diverter with automatic resetting
- with silencer
- suitable for continuous flow water heaters
- with integrated safety combination EN 1717
- connection type: basic set
- wall-mounted
- min. operating pressure: 1 bar
- max. operating pressure: 10 bar

Article Details

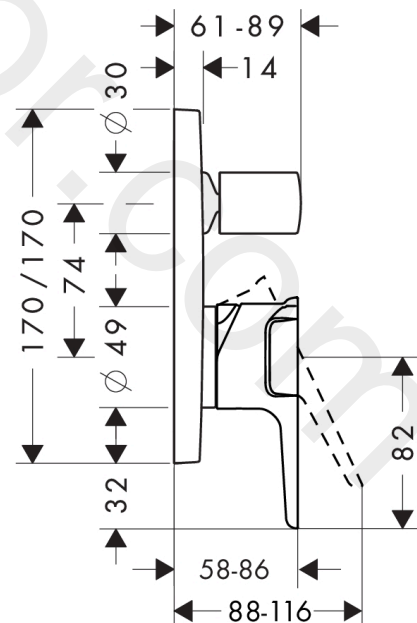
Price excl. VAT

537,50 £

Product image



Scale drawing



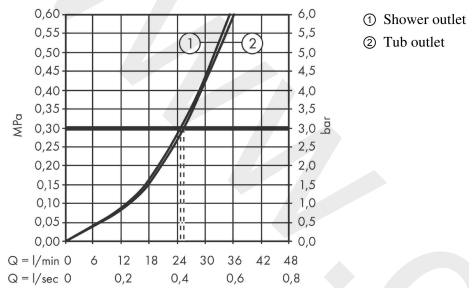
AXOR Citterio E

Single lever bath mixer for concealed installation with integrated security combination according to EN1717

Finish: **Chrome** Article Number: **36457000**



Flowchart

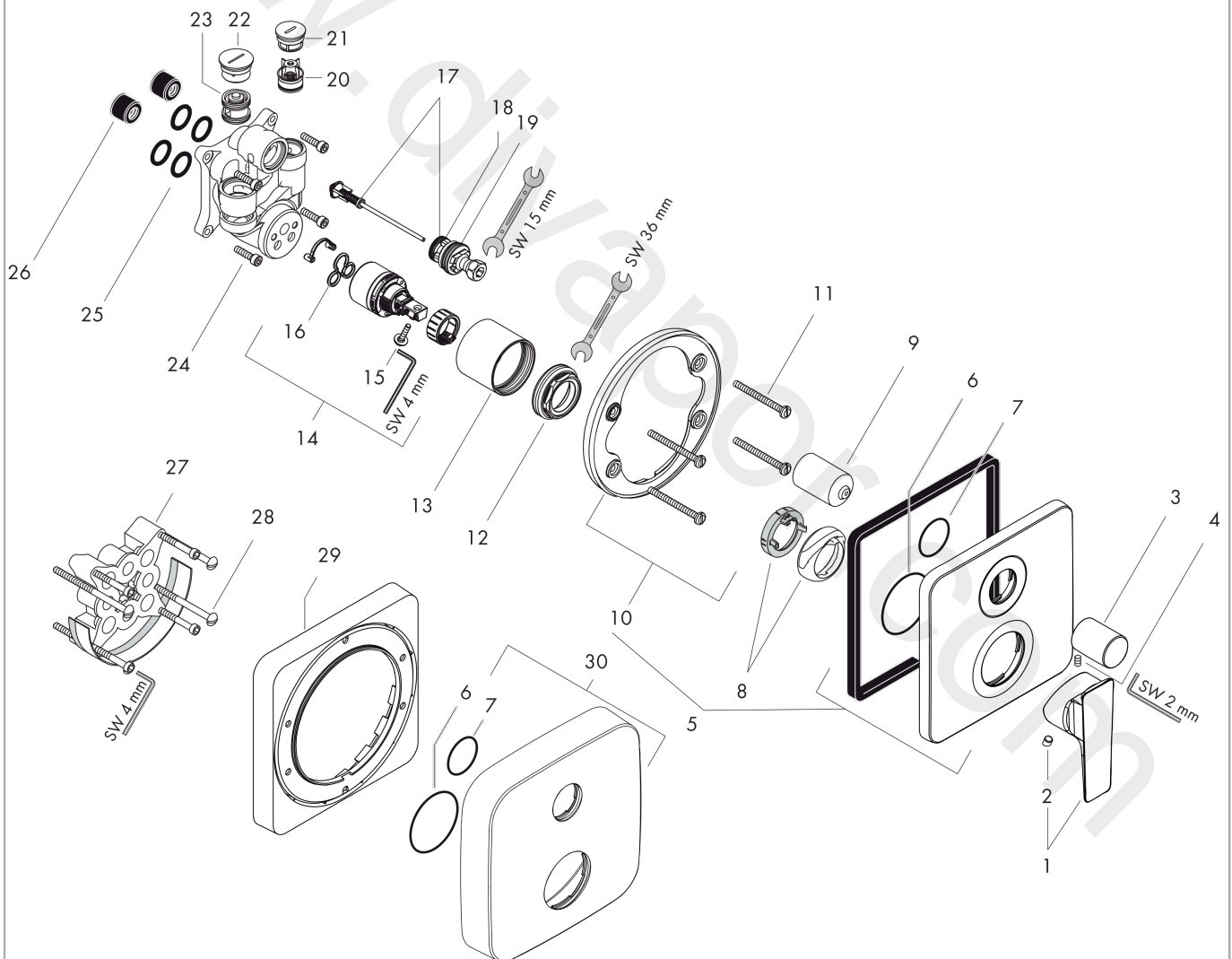


AXOR Citterio E
Single lever bath mixer for concealed installation with integrated security combination
according to EN1717
 Finish: **Chrome** Article Number: **36457000**



Exploded Drawing

Year of production: >09/16



AXOR Citterio E

Single lever bath mixer for concealed installation with integrated security combination according to EN1717

Finish: **Chrome** Article Number: **36457000**



Spare part list

Year of production: >09/16

Pos.		Article Number	Price	PU
1	handle	92932000	£ 96,00	1
2	screw cover	96338000	£ 3,30	1
3	diverter knob	96473000	£ 51,00	1
4	hollow set screw M4x10	97667000	£ 3,30	1
5	escutcheon	98969000	£ 96,00	1
6	O-Ring 48x3	95508000	£ 3,30	1
7	O-ring 29x3	98371000	£ 6,10	1
8	flange (Rotating Protector)	96395000	£ 43,00	1
9	sleeve	96448000	£ 43,00	1
10	holder for escutcheon	98793000	£ 43,00	1
11	set of fixing screws	96454000	£ 9,00	1
12	nut	96461000	£ 35,00	1
13	sleeve	95980000	£ 79,00	1
14	cartridge, assy	92730000	£ 35,00	1
15	locking screw for handle	95140000	£ 6,10	1
16	seal	95008000	£ 9,00	1
17	selector assy	95014000	£ 64,00	1
18	O-ring 17x2	98199000	£ 3,30	1
19	O-ring 20x2,5	92602000	£ 6,10	1
20	non return valve	96655000	£ 13,30	1
21	O-ring 19x2	98426000	£ 3,30	1
22	vacuum breaker	96753000	£ 16,10	1
23	O-Ring 22x2	98185000	£ 3,30	1
24	set of screws	96525000	£ 9,00	1
25	O-ring 16x2	98133000	£ 3,30	1
26	noise reduction	94073000	£ 25,00	1
27	extension 25 mm	13595000	£ 75,00	1
28	set of fixing screws	97747000	£ 3,30	1
29	extension 22 mm	98860000	£ 84,00	1
30	escutcheon height = 33 mm (when wall is not deep enough).	14972000	£ 87,00	1
a	concealed item	01800180	£ 163,00	1
b	fixation set	96615000	£ 59,00	1