

AXOR Citterio E

Bath spout

Finish: **Chrome** Article Number: **36425000**



product features

- 1 function
- connection type: G 3/4
- projection: 181 mm
- maximum flow rate at 3 bar: 23 l/min
- spray type: laminar spray
- WRAS 2107050
- WRAS 2107050 - WRAS Approval Letter 2107050

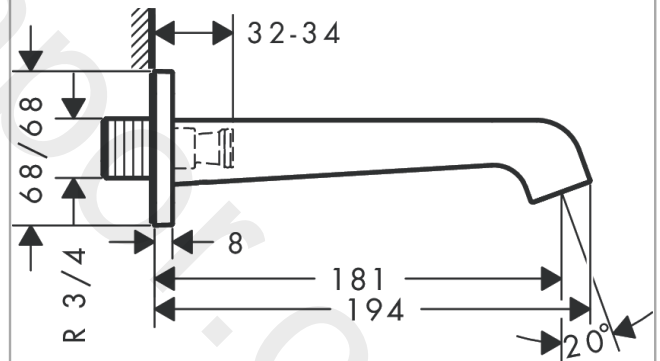
Article Details

Price excl. VAT 250,00 £

Product image



Scale drawing



AXOR Citterio E

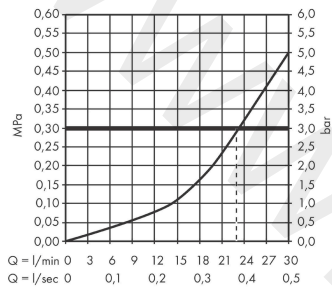
Bath spout

Finish: **Chrome**

Article Number: **36425000**



Flowchart



The consumption was measured in combination with the appropriate fittings (thermosta/mixer/ in-wall valve) to reflect actual application in practice.

AXOR Citterio E

Bath spout

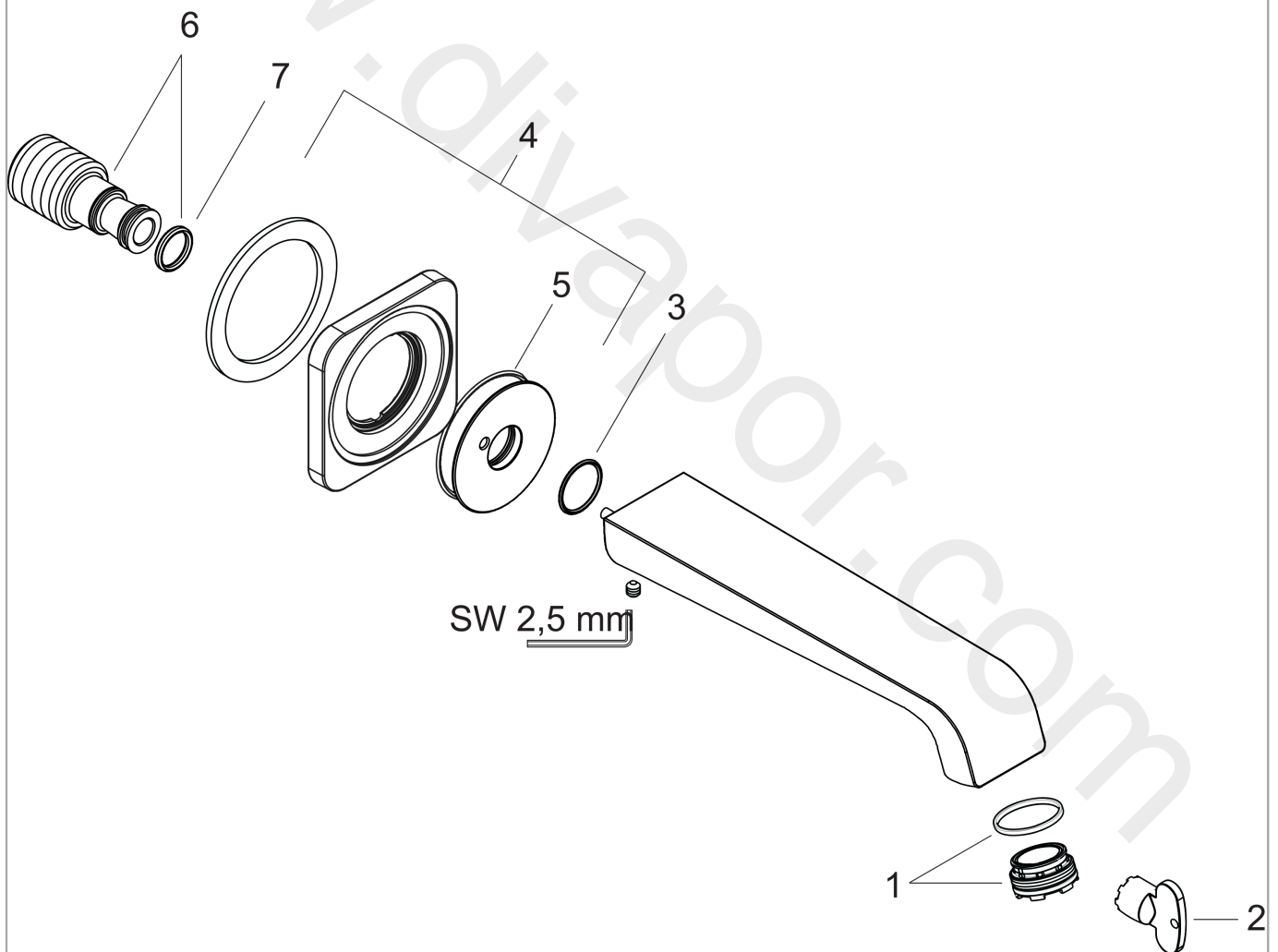
Finish: **Chrome**

Article Number: **36425000**



Exploded Drawing

Year of production: >12/14



AXOR Citterio E
Bath spout

 Finish: **Chrome** Article Number: **36425000**

Spare part list

Year of production: >12/14

Pos.		Article Number	Price	PU
1	aerator laminar M24x1 C	98337000	£ 35,00	1
2	special tool	95158000	£ 6,10	1
3	O-ring 18x1,5	98231000	£ 3,30	1
4	escutcheon for spout	92337000	£ 173,00	1
5	O-Ring 46x2	98195000	£ 3,30	1
6	connecting thread G $\frac{3}{4}$	92504000	£ 64,00	1
7	O-ring 13x2	98128000	£ 3,30	1