

**AXOR Citterio E**  
**Single lever basin mixer 190 for wash bowls with waste set 2 ticks**  
 Finish: **Chrome** Article Number: **36156009**



### product features

- consists of: single lever basin mixer, waste set
- ComfortZone 250
- projection: 163 mm
- spout height: 189 mm
- handle variant: pin handle
- spray type: laminar spray
- maximum flow rate at 3 bar: 3,5 l/min
- ceramic cartridge
- suitable for continuous flow water heaters
- non-closing waste set
- connection type: G 3/4 connections
- connection dimension: DN15

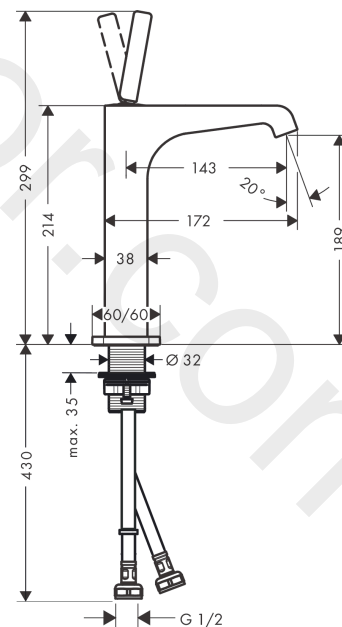
### Technology



### Product image



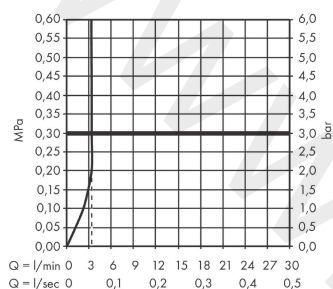
### Scale drawing



**AXOR Citterio E**  
**Single lever basin mixer 190 for wash bowls with waste set 2 ticks**  
Finish: **Chrome** Article Number: **36156009**



## Flowchart

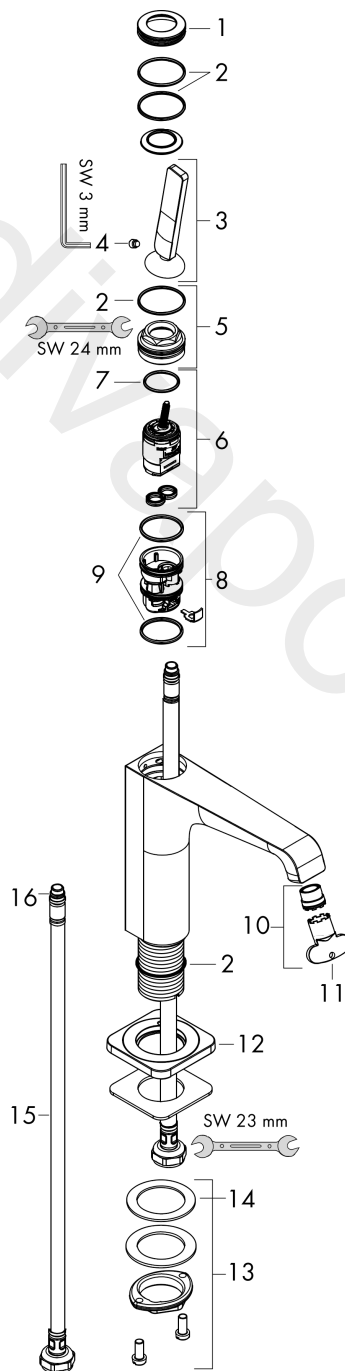


**AXOR Citterio E**  
**Single lever basin mixer 190 for wash bowls with waste set 2 ticks**  
 Finish: **Chrome**    Article Number: **36156009**



## Exploded Drawing

Year of production: >04/20



**AXOR Citterio E**  
**Single lever basin mixer 190 for wash bowls with waste set 2 ticks**  
 Finish: **Chrome** Article Number: **36156009**



## Spare part list

Year of production: >04/20

Pos.		Article Number	Price	PU
1	escutcheon	92188000	£ 64,00	1
2	O-ring 30x1,5	98433000	£ 3,30	1
3	handle	92189000	£ 51,00	1
4	hollow set screw M6x6	97660000	£ 3,30	1
5	nut	95667000	£ 25,00	1
6	cartridge, assy	92930000	£ 64,00	1
7	O-ring 21,95x1,78	95169000	£ 3,30	1
8	adapter for cartridge	95289000	£ 25,00	1
9	O-ring 26x2	98147000	£ 3,30	1
10	aerator M16,5x1 (3,8 l/min)	92920000	£ 35,00	1
11	special tool	98987000	£ 9,00	1
12	escutcheon	92190000	£ 64,00	1
13	fixing set (Ø 32)	13961000	£ 25,00	1
14	lever collar	97548000	£ 3,30	1
15	connection hose 900 mm M8x0,75 G½	97489000	£ 35,00	1
16	O-ring 6,6x1,6	93019000	£ 3,30	1
a	waste	50001000	£ 71,00	1
b	fixation extension 35 mm	13898000	£ 79,00	1