

AXOR Citterio E

Single lever basin mixer 250 with lever handle for wash bowls with waste set 2 ticks

Finish: **Chrome** Article Number: **36152009**



product features

- consists of: single lever basin mixer, waste set
- ComfortZone 250
- projection: 163 mm
- spout height: 252 mm
- handle variant: lever handle
- spray type: laminar spray
- maximum flow rate at 3 bar: 3,5 l/min
- ceramic cartridge
- temperature limitation adjustable
- non-closing waste set
- connection type: G ½ connections
- connection dimension: DN15

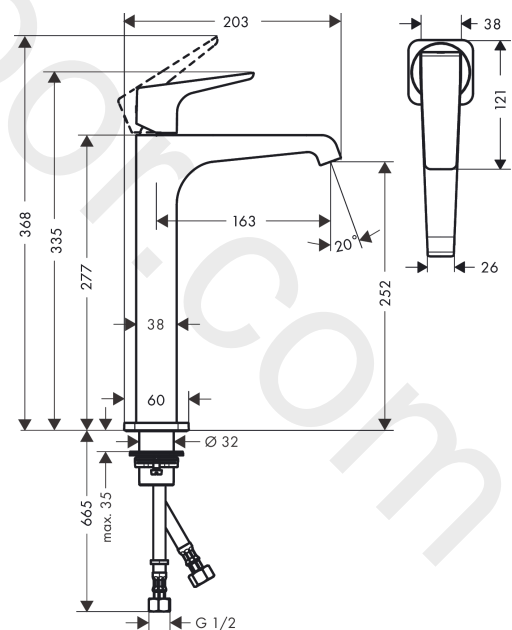
Technology



Product image



Scale drawing



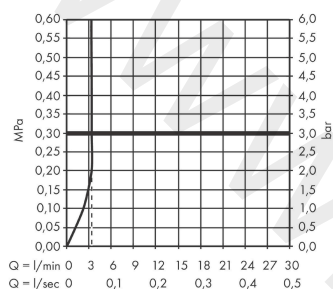
AXOR Citterio E

Single lever basin mixer 250 with lever handle for wash bowls with waste set 2 ticks

Finish: Chrome Article Number: 36152009



Flowchart

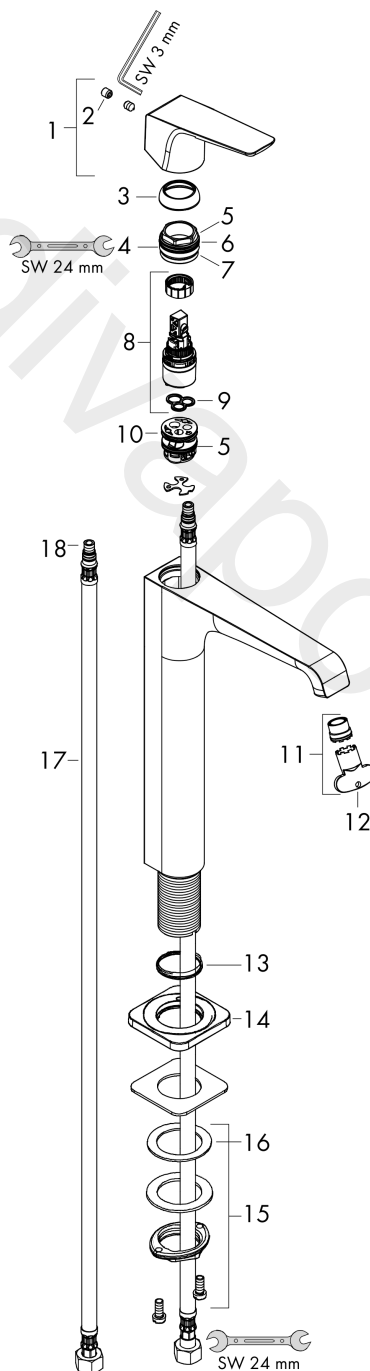


AXOR Citterio E
Single lever basin mixer 250 with lever handle for wash bowls with waste set 2 ticks
Finish: **Chrome** Article Number: **36152009**



Exploded Drawing

Year of production: >04/20



AXOR Citterio E

Single lever basin mixer 250 with lever handle for wash bowls with waste set 2 ticks

Finish: **Chrome** Article Number: **36152009**



Spare part list

Year of production: >04/20

Pos.		Article Number	Price	PU
1	handle	92593000	£ 64,00	1
2	screw cover	96762000	£ 3,30	1
3	flange	98863000	£ 51,00	1
4	nut	98864000	£ 43,00	1
5	O-ring 23x2	98398000	£ 3,30	1
6	O-ring 27x1,5	92527000	£ 13,30	1
7	O-ring 25x1,5	98146000	£ 3,30	1
8	cartridge, assy	95973000	£ 79,00	1
9	seal	98865000	£ 35,00	1
10	adapter for cartridge	98866000	£ 35,00	1
11	aerator M16,5x1 (3,8 l/min)	92920000	£ 35,00	1
12	special tool	98987000	£ 9,00	1
13	O-ring 30x1,5	98433000	£ 3,30	1
14	escutcheon	92190000	£ 64,00	1
15	fixing set (Ø 32)	13961000	£ 25,00	1
16	lever collar	97548000	£ 3,30	1
17	connection hose 900 mm M8x0,75 G½	97489000	£ 35,00	1
18	O-ring 7x1,5	98422000	£ 3,30	1
a	pop up waste	51302000	£ 115,00	1
b	pop up waste	94139007	-	1
c	fixation extension 35 mm	13898000	£ 79,00	1