

AXOR Citterio E
3-hole basin mixer 170 with escutcheons and pop-up waste set
 Finish: **Stainless Steel Optic** Article Number: **36108800**



product features

- consists of: 3-hole basin mixer, waste set
- ComfortZone 170
- projection: 165 mm
- spout height: 170 mm
- handle variant: cross handle
- spray type: laminar spray
- maximum flow rate at 3 bar: 5 l/min
- ceramic valves hot/ cold 180°
- suitable for continuous flow water heaters
- pop-up waste set G 1¼
- connection type: G ¾ connections
- connection dimension: DN15
- EU taxonomy: max. 6 l/min - Substantial Contribution (SC)
- WRAS 2305048
- WRAS 2305048 - Approval letter 2305048

Article Details

Price excl. VAT 962,50 £

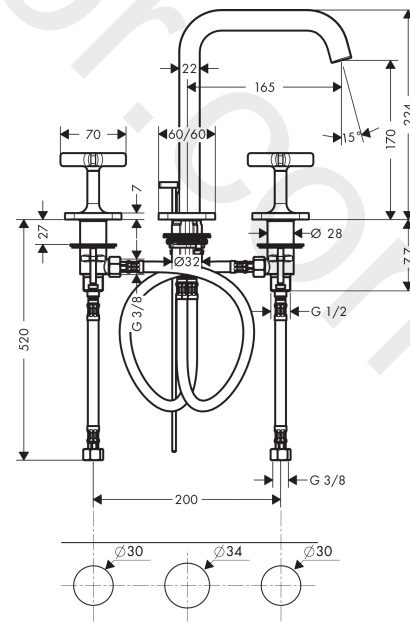
Technology



Product image



Scale drawing



AXOR Citterio E
3-hole basin mixer 170 with escutcheons and pop-up waste set
Finish: **Stainless Steel Optic** Article Number: **36108800**



Flowchart

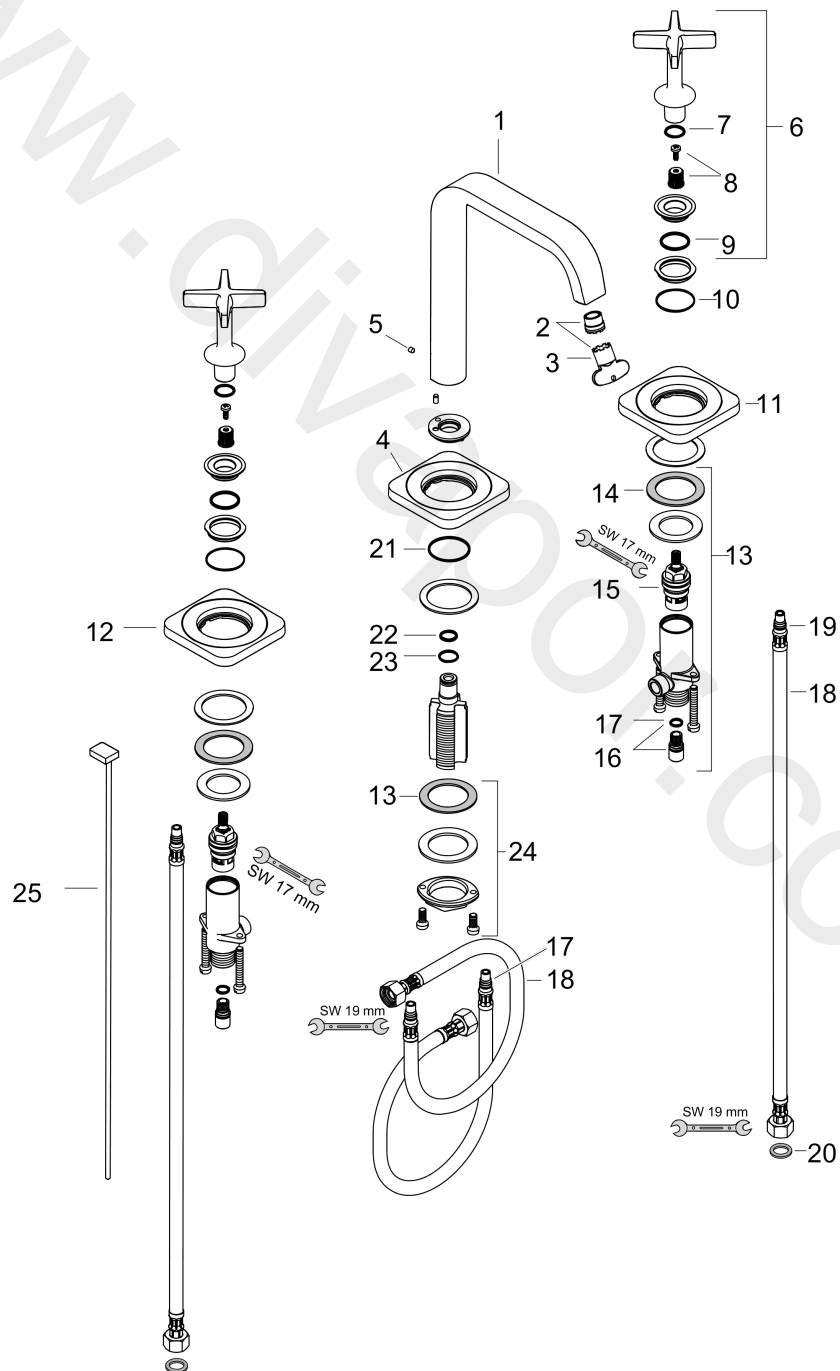


AXOR Citterio E
3-hole basin mixer 170 with escutcheons and pop-up waste set
 Finish: **Stainless Steel Optic** Article Number: **36108800**



Exploded Drawing

Year of production: >11/16



AXOR Citterio E
3-hole basin mixer 170 with escutcheons and pop-up waste set
 Finish: **Stainless Steel Optic** Article Number: **36108800**



Spare part list

Year of production: >11/16

Pos.		Article Number	Price	PU
1	spout cpl.	92394800	£ 667,50	1
2	aerator laminar M16,5x1 (5 l/min)	95382000	£ 43,00	1
3	special tool	98987000	£ 9,00	1
4	escutcheon	98930800	£ 96,00	1
5	hollow set screw M4x5	92846000	£ 13,30	1
6	handle	92396800	£ 144,00	1
7	O-ring 13x2	98128000	£ 3,30	1
8	handle fixing set	98932000	£ 16,10	1
9	O-ring 21x2	98205000	£ 6,10	1
10	O-ring 30x1,5	98433000	£ 3,30	1
11	escutcheon cold water	92398800	£ 205,50	1
12	escutcheon hot water	92397800	£ 205,50	1
13	stop valve cpl.	97357000	£ 137,00	1
14	lever collar	97548000	£ 3,30	1
15	shut off unit	94149000	£ 35,00	1
16	set of connecting threads	98350000	£ 6,10	1
17	O-ring 8x1,5	98423000	£ 3,30	1
18	connection hose 450 mm M8x0,75 G3/8	97206000	£ 35,00	1
19	O-ring 7x1,5	98422000	£ 3,30	1
20	sealing set	95581000	£ 6,10	1
21	O-ring 11x2	98127000	£ 3,30	1
22	O-Ring 14x1,5	98201000	£ 3,30	1
23	fixing set (Ø 32)	13961000	£ 25,00	1
24	pop up rod	92395800	£ 64,50	1
a	fixation extension 35 mm	13898000	£ 79,00	1
b	pop up waste	94139800	£ 173,00	1