

AXOR Citterio E

3-hole basin mixer for concealed installation wall-mounted with spout 220 mm and escutcheons

Finish: **Brushed Red Gold** Article Number: **36107310**



product features

- consists of: 3-hole basin mixer for concealed installation wall-mounted, waste set
- projection: 220 mm
- handle variant: cross handle
- spray type: laminar spray
- maximum flow rate at 3 bar: 5 l/min
- ceramic valves hot/ cold 180°
- suitable for continuous flow water heaters
- non-closing waste set
- connection type: basic set
- connection dimension: DN15
- EU taxonomy: max. 6 l/min - Substantial Contribution (SC)
- WRAS 2101006
- WRAS 2101006 - Approval letter

Article Details

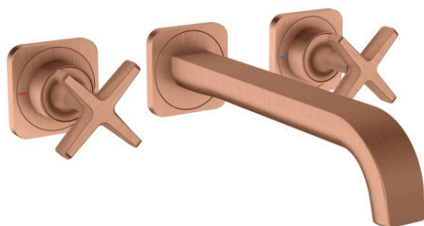
Price excl. VAT

768,80 £

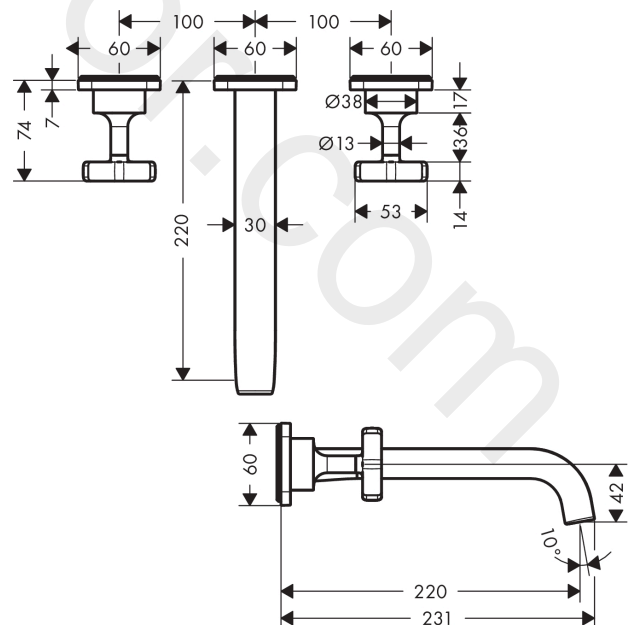
Technology



Product image



Scale drawing



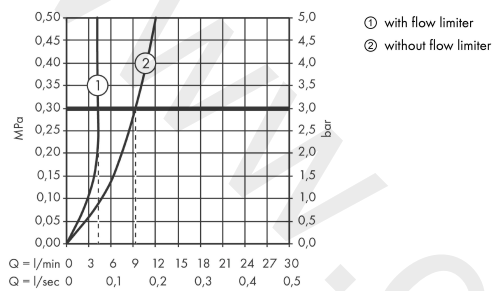
AXOR Citterio E

3-hole basin mixer for concealed installation wall-mounted with spout 220 mm and escutcheons

Finish: **Brushed Red Gold** Article Number: **36107310**



Flowchart



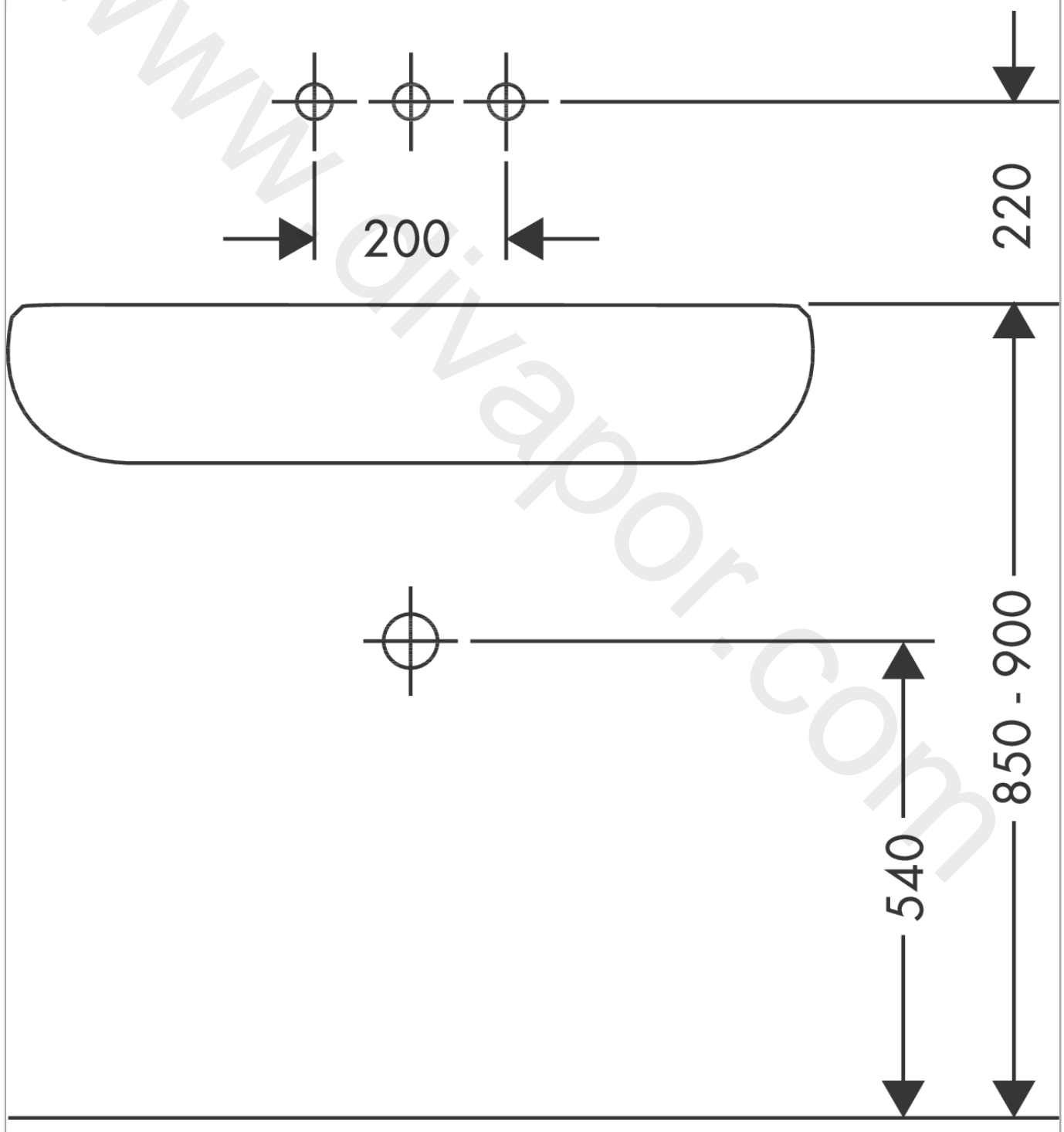
AXOR Citterio E

3-hole basin mixer for concealed installation wall-mounted with spout 220 mm and escutcheons

Finish: **Brushed Red Gold** Article Number: **36107310**



Installation examples



AXOR Citterio E

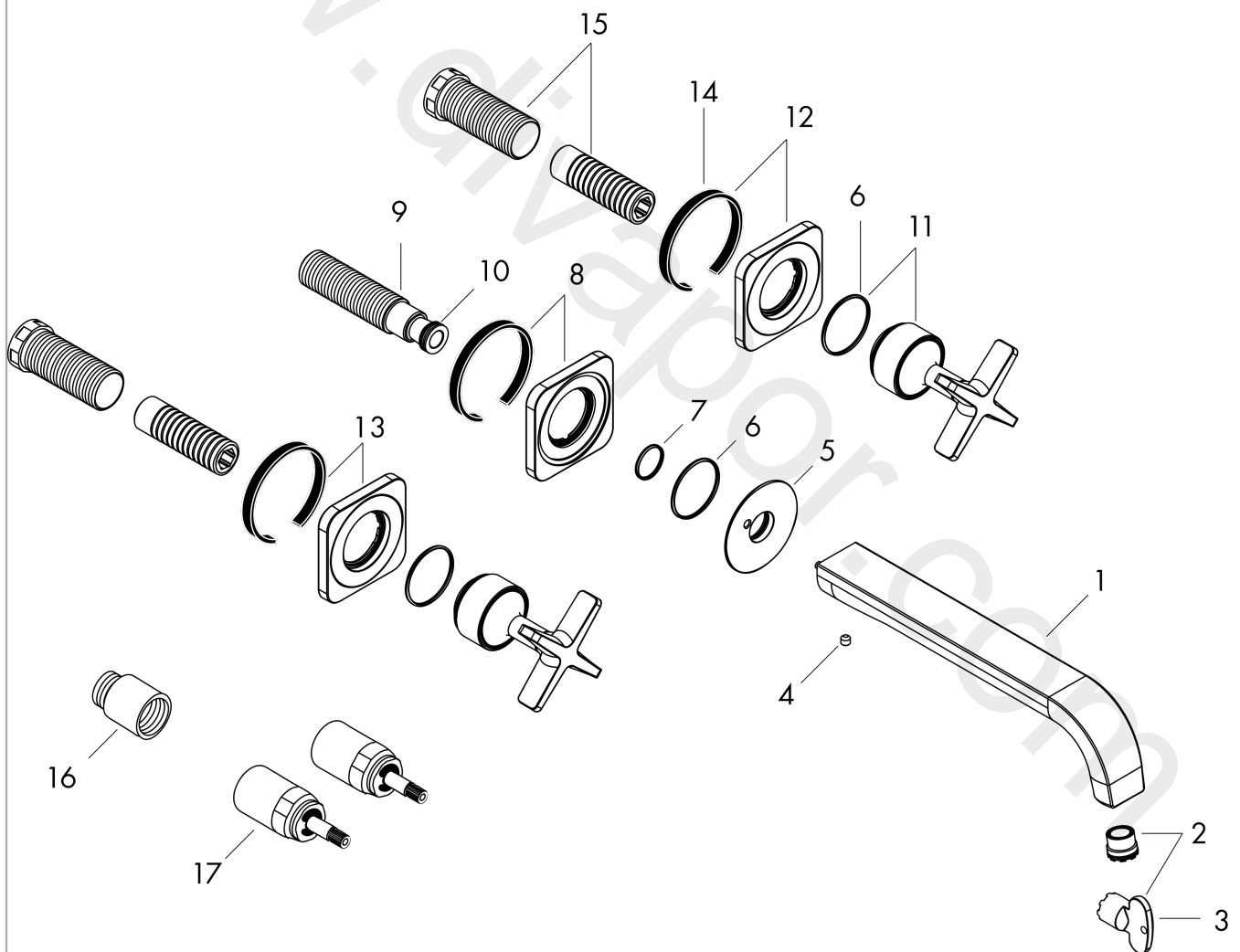
3-hole basin mixer for concealed installation wall-mounted with spout 220 mm and escutcheons

Finish: **Brushed Red Gold** Article Number: **36107310**



Exploded Drawing

Year of production: >11/16



AXOR Citterio E

3-hole basin mixer for concealed installation wall-mounted with spout 220 mm and escutcheons

Finish: **Brushed Red Gold** Article Number: **36107310**



Spare part list

Year of production: >11/16

Pos.		Article Number	Price	PU
1	spout 220 mm	92336310	£ 660,00	1
2	aerator laminar M16,5x1 (5 l/min)	95382000	£ 43,00	1
3	special tool	98987000	£ 9,00	1
4	hollow set screw M5x5	98446000	£ 3,30	1
5	escutcheon for spout	92342310	£ 96,00	1
6	O-ring 30x1,5	98433000	£ 3,30	1
7	O-ring 17x1,5	98137000	£ 3,30	1
8	escutcheon	92359310	£ 76,50	1
9	connecting thread G½	95626000	£ 43,00	1
10	O-ring 13x2	98128000	£ 3,30	1
11	handle	92343310	£ 202,00	1
12	sealing foil	96383000	£ 46,00	1
13	escutcheon	98930310	£ 96,00	1
14	seal	97530000	£ 6,10	1
15	fixing set	96393000	£ 35,00	1
16	extension 25 mm	95413000	£ 79,00	1
17	extension 25 mm	96259000	£ 79,00	1
a	base body	10303180	£ 300,00	1
b	waste	50001310	£ 106,56	1