

AXOR Citterio E

Single lever basin mixer for concealed installation wall-mounted with pin handle, spout 221 mm and escutcheons

Finish: **Brushed Brass** Article Number: **36106950**



product features

- consists of: single lever basin mixer for concealed installation wall-mounted, waste set
- projection: 221 mm
- handle variant: pin handle
- spray type: laminar spray
- maximum flow rate at 3 bar: 5 l/min
- ceramic cartridge
- suitable for continuous flow water heaters
- non-closing waste set
- connection type: basic set
- handle can be positioned on the right or left, depending on the basic set installation
- EU taxonomy: max. 6 l/min - Substantial Contribution (SC)
- WRAS 2110016
- WRAS 2110016 - Approval letter

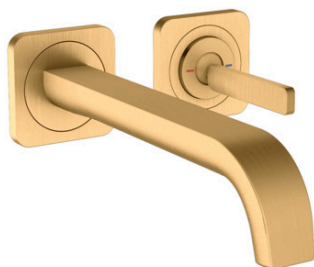
Article Details

Price excl. VAT 831,30 £

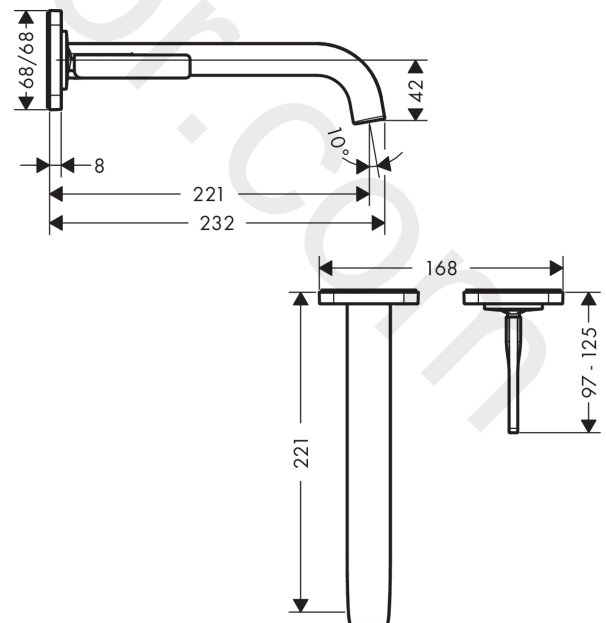
Technology



Product image



Scale drawing



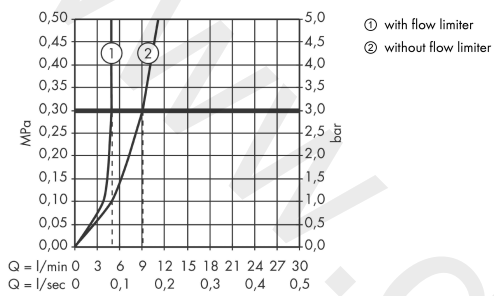
AXOR Citterio E

Single lever basin mixer for concealed installation wall-mounted with pin handle, spout 221 mm and escutcheons

Finish: **Brushed Brass** Article Number: **36106950**



Flowchart



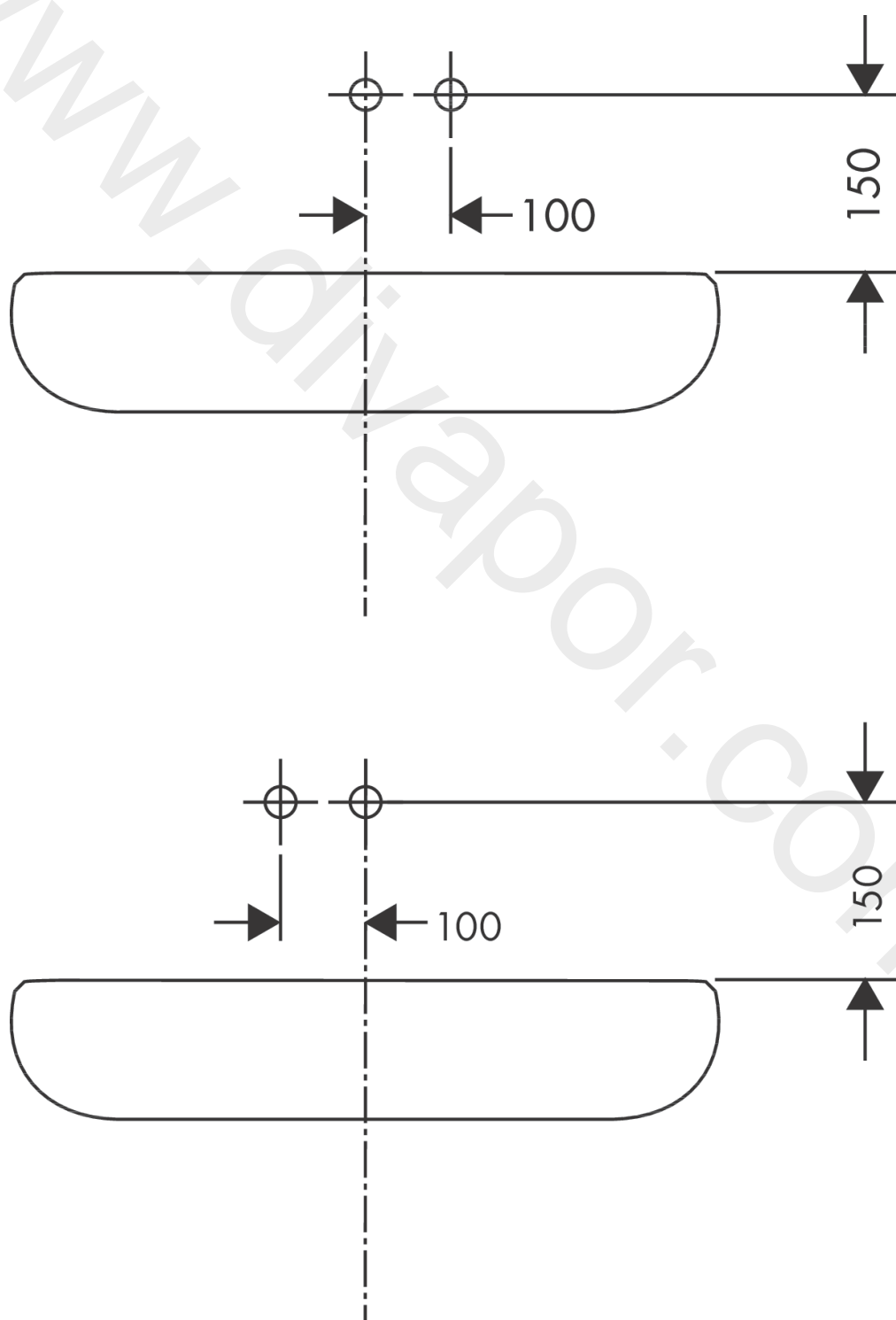
AXOR Citterio E

Single lever basin mixer for concealed installation wall-mounted with pin handle, spout 221 mm and escutcheons

Finish: **Brushed Brass** Article Number: **36106950**



Installation examples



AXOR Citterio E

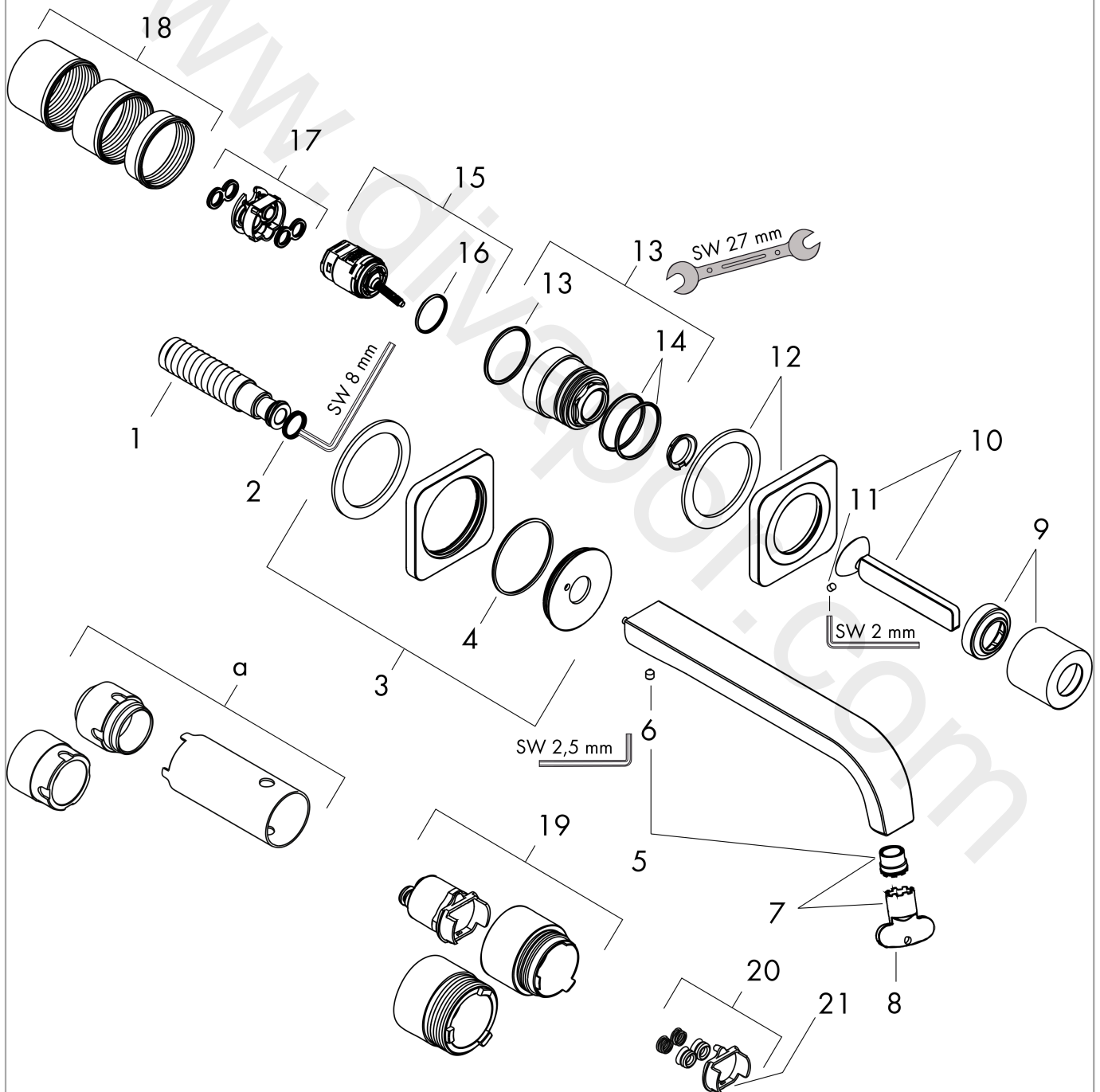
Single lever basin mixer for concealed installation wall-mounted with pin handle, spout 221 mm and escutcheons

Finish: **Brushed Brass** Article Number: **36106950**



Exploded Drawing

Year of production: >11/16



AXOR Citterio E

Single lever basin mixer for concealed installation wall-mounted with pin handle, spout 221 mm and escutcheons

Finish: **Brushed Brass** Article Number: **36106950**



Spare part list

Year of production: >11/16

Pos.		Article Number	Price	PU
1	connecting thread G½	95626000	£ 43,00	1
2	O-ring 13x2	98128000	£ 3,30	1
3	escutcheon for spout	92337950	£ 260,00	1
4	O-ring 47x2	98392000	£ 3,30	1
5	spout 220 mm	92336950	£ 550,00	1
6	aerator laminar M16,5x1 (5 l/min)	95382000	£ 43,00	1
7	special tool	98987000	£ 9,00	1
8	flange	95776950	£ 76,00	1
9	handle	92335950	£ 259,50	1
10	hollow set screw M4x6	97767000	£ 3,30	1
11	escutcheon for handle	92334950	£ 260,00	1
12	nut	95777000	£ 79,00	1
13	O-ring 34x2	98383000	£ 6,10	1
14	cartridge, assy	96783000	£ 96,00	1
15	O-ring 21,95x1,78	95169000	£ 3,30	1
16	adapter for cartridge	95644000	£ 16,10	1
17	fixing set	97971000	£ 43,00	1
18	extension set 25 mm for 13622180	31971000	£ 169,00	1
19	conversion kit	95643000	£ 43,00	1
20	adapter for cartridge	97280000	£ 6,10	1
a	extension set for 38111180	38982000	£ 173,00	1
b	base body	13622180	£ 355,00	1
c	waste	50001950	£ 106,56	1
d	adapter for exchanged connections	93561000	£ 275,00	1