

AXOR Citterio E
Pillar tap 90 with pin handle without waste set
 Finish: **Chrome** Article Number: **36105000**



product features

- ComfortZone 90
- projection: 135 mm
- spout height: 90 mm
- handle variant: pin handle
- spray type: laminar spray
- maximum flow rate at 3 bar: 5 l/min
- ceramic cartridge
- for cold water connection
- non-closing waste set
- connection type: G ¾ connection hose
- connection dimension: DN15
- EU taxonomy: max. 6 l/min - Substantial Contribution (SC) possible
- WRAS 2110072
- WRAS 2110072 - Approval letter

Article Details

Price excl. VAT 333,33 £

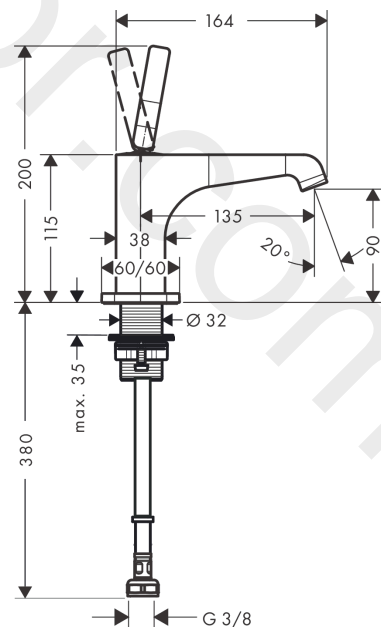
Technology



Product image



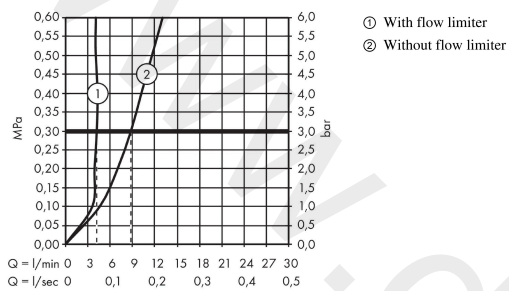
Scale drawing



AXOR Citterio E
Pillar tap 90 with pin handle without waste set
 Finish: **Chrome** Article Number: **36105000**



Flowchart



AXOR Citterio E
Pillar tap 90 with pin handle without waste set
 Finish: **Chrome** Article Number: **36105000**



Spare part list

Year of production: >11/14

Pos.		Article Number	Price	PU
1	cover cap	93495000	£ 43,00	1
2	O-ring 30x1,5	98433000	£ 3,30	1
3	handle	92189000	£ 51,00	1
4	hollow set screw M6x6	97660000	£ 3,30	1
5	nut	95667000	£ 25,00	1
6	cartridge, assy	96339000	£ 79,00	1
7	O-ring 21,95x1,78	95169000	£ 3,30	1
8	O-ring 26x2	98147000	£ 3,30	1
9	connection hose 450 mm M8x0,75 G3/8	97206000	£ 35,00	1
10	escutcheon	92190000	£ 64,00	1
11	fixing set (Ø 32)	13961000	£ 25,00	1
12	lever collar	97548000	£ 3,30	1
13	aerator laminar M16,5x1 (5 l/min)	95382000	£ 43,00	1
14	special tool	98987000	£ 9,00	1
15	O-ring 7x1,5	98422000	£ 3,30	1
a	fixation extension 35 mm	13898000	£ 79,00	1
b	plug	92313000	£ 9,00	1
c	waste	50001000	£ 71,00	1