

AXOR Citterio E
Single lever basin mixer 130 with pin handle and waste set
 Finish: **Chrome** Article Number: **36101000**



product features

- consists of: single lever basin mixer, waste set
- ComfortZone 130
- projection: 143 mm
- spout height: 126 mm
- handle variant: pin handle
- spray type: laminar spray
- maximum flow rate at 3 bar: 5 l/min
- ceramic cartridge
- suitable for continuous flow water heaters
- non-closing waste set
- connection type: G 3/8 connections
- connection dimension: DN15
- EU taxonomy: max. 6 l/min - Substantial Contribution (SC)
- WRAS 2110072
- WRAS 2110072 - Approval letter

Article Details

Price excl. VAT 470,83 £

Technology



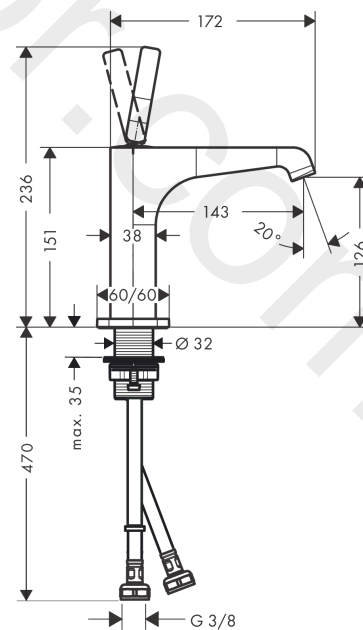
Certificates / Sustainability



Product image



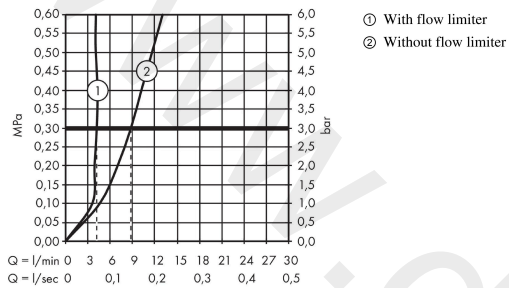
Scale drawing



AXOR Citterio E
Single lever basin mixer 130 with pin handle and waste set
 Finish: **Chrome** Article Number: **36101000**



Flowchart

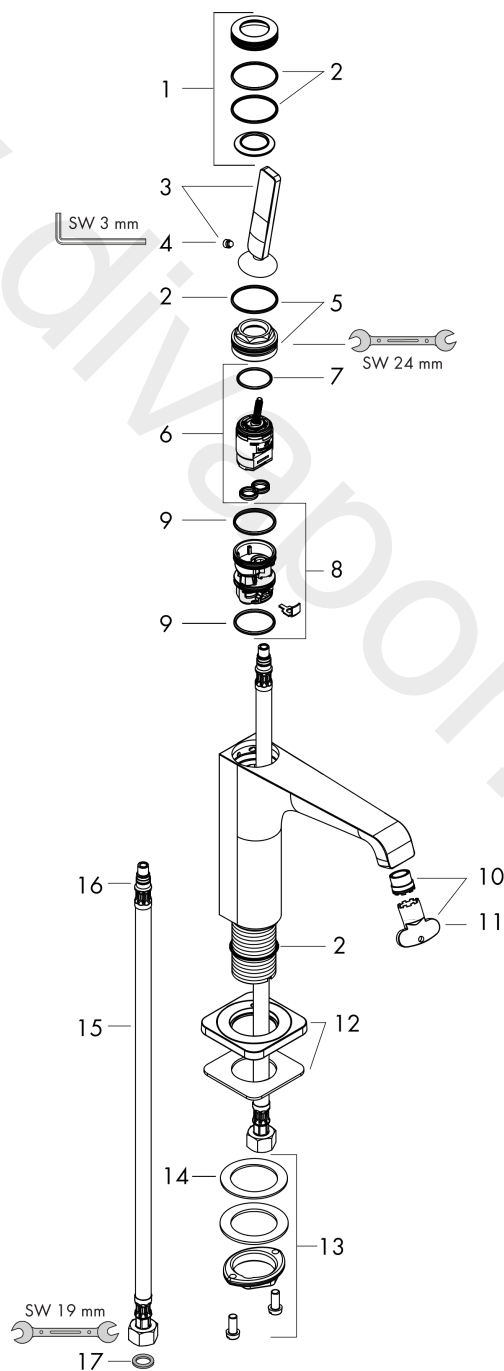


AXOR Citterio E
Single lever basin mixer 130 with pin handle and waste set
 Finish: **Chrome** Article Number: **36101000**



Exploded Drawing

Year of production: >11/14



AXOR Citterio E
Single lever basin mixer 130 with pin handle and waste set
 Finish: **Chrome** Article Number: **36101000**



Spare part list

Year of production: >11/14

Pos.		Article Number	Price	PU
1	escutcheon	92188000	£ 64,00	1
2	O-ring 30x1,5	98433000	£ 3,30	1
3	handle	92189000	£ 51,00	1
4	hollow set screw M6x6	97660000	£ 3,30	1
5	nut	95667000	£ 25,00	1
6	cartridge, assy	96339000	£ 79,00	1
7	O-ring 21,95x1,78	95169000	£ 3,30	1
8	adapter for cartridge	95289000	£ 25,00	1
9	O-ring 26x2	98147000	£ 3,30	1
10	aerator laminar M16,5x1 (5 l/min)	95382000	£ 43,00	1
11	special tool	98987000	£ 9,00	1
12	escutcheon	92190000	£ 64,00	1
13	fixing set (Ø 32)	13961000	£ 25,00	1
14	lever collar	97548000	£ 3,30	1
15	connection hose 600 mm M8x0,75 G3/8	96556000	£ 25,00	1
16	O-ring 7x1,5	98422000	£ 3,30	1
17	sealing set	95581000	£ 6,10	1
a	fixation extension 35 mm	13898000	£ 79,00	1
b	waste	50001000	£ 71,00	1
c	plug	92313000	£ 9,00	1