

36 867 809



- 125 mm projection
- fixed spout
- circular, air-enriched flow
- hole diameter spout 35 mm
- hole diameter single-lever mixer 57 mm
- rosette for single-lever mixer Ø 78mm
- rosette for spout Ø 60mm
- max. flow 5.7 l/min
- lead-free

	Brushed Dark Platinum	36 867 809-99
	Chrome	36 867 809-00
	Brushed Platinum	36 867 809-06
	Platinum	36 867 809-08
	Dark Chrome	36 867 809-19
	Brushed Durabross (23kt Gold)	36 867 809-28
	Brushed Champagne (22kt Gold)	36 867 809-46
	Champagne (22kt Gold)	36 867 809-47

Required miscellaneous



Concealed wall-mounted single-lever mixer mixer on right 35 816 970 90
 •NOTE:Not suitable for concealed installation.Connection by means of angle valves, mounted with screws to back wall.

Required miscellaneous



Concealed wall-mounted single-lever mixer 35 860 970 90
 •min. recess depth 75 mm
 •max. recess depth 95 mm

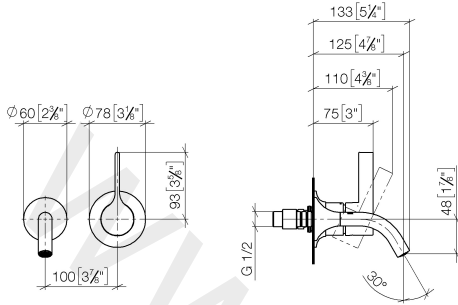
Required miscellaneous



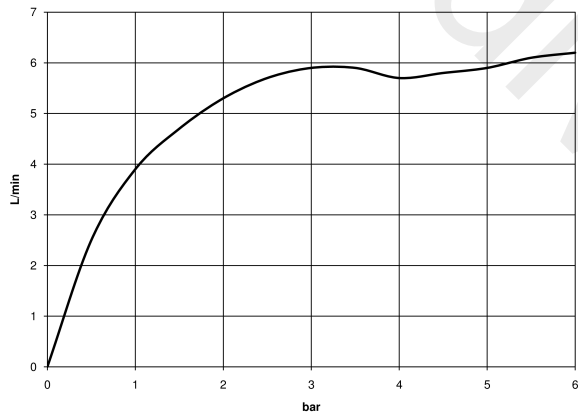
Drybox Wall-mounted single-lever basin mixer Mixer on right/left/or above 39 807 970 90

36 867 809

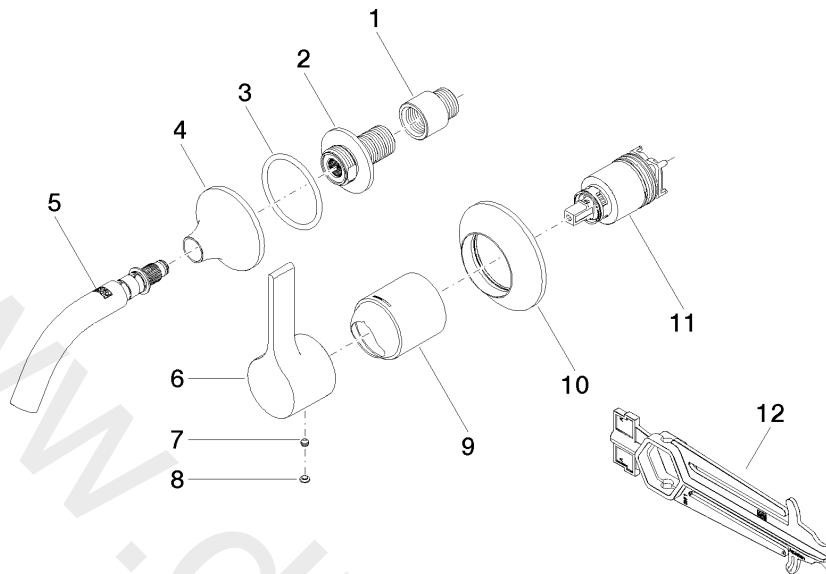
mm [inches]



Flow rate chart



36 867 809



Spare parts list

No.	Item Number	Name	Quantity used	Delivery time
1	09 24 03 072 10 90	nipple	1	2
2	09 24 03 269 90	nipple	1	2
3	09 14 10 084 90	seal	1	2
4	09 27 80 011-99	rosette	1	30
5	90 28 22 365 00-99	spout	1	30
6	09 20 80 021-99	handle	1	30
7	09 31 11 063 90	pin	1	2
8	90 31 20 087 00-99	plug	1	30
9	09 11 02 288-99	cover	1	30
10	90 27 80 012 00-99	rosette	1	30
11	90 15 05 064 01 90	cartridge	1	2
12	09 30 09 064 90	key	1	2