





Wall-mounted single-lever basin mixer without pop-up waste

CL.1

36 860 705



- 198 mm projection
- fixed spout
- rectangular spray pattern with 40 individual jets
- hole diameter spout 37 mm
- hole diameter single-lever mixer 57 mm
- rosette 80 x 80 mm
- max. flow 4.5 l/min
- lead-free

|   |                       |               |
|---|-----------------------|---------------|
|  | Brushed Dark Platinum | 36 860 705-99 |
|  | Chrome                | 36 860 705-00 |
|  | Brushed Platinum      | 36 860 705-06 |
|  | Dark Chrome           | 36 860 705-19 |

Required miscellaneous



**Concealed wall-mounted single-lever mixer mixer on right** 35 816 970 90

•NOTE:Not suitable for concealed installation.Connection by means of angle valves, mounted with screws to back wall.

Required miscellaneous

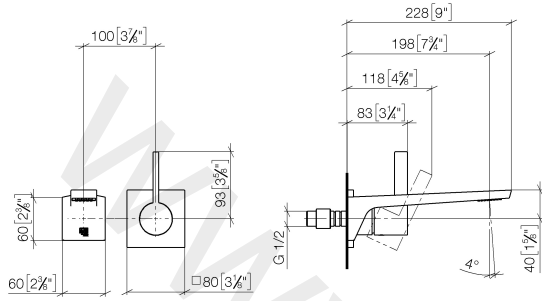


**Concealed wall-mounted single-lever mixer** 35 860 970 90

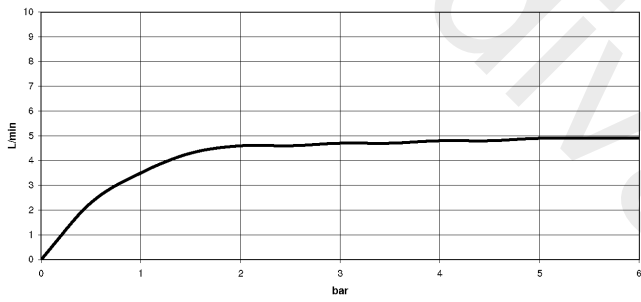
- min. recess depth 80 mm
- max. recess depth 95 mm

36 860 705

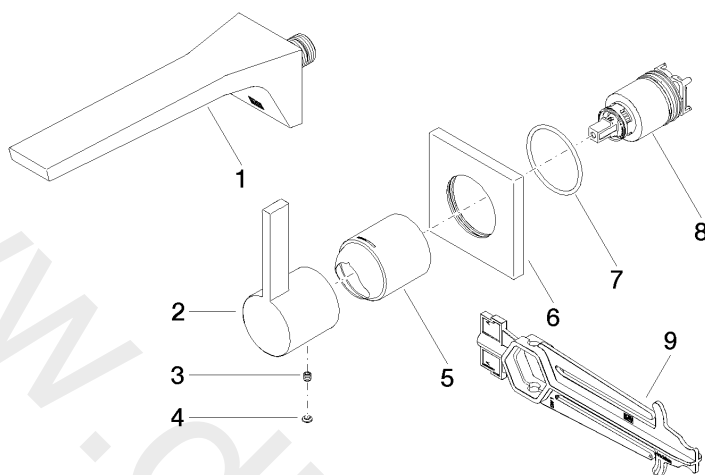
mm [inches]



Flow rate chart



36 860 705



### Spare parts list

| No. | Item Number        | Name  | Quantity used | Delivery time |
|-----|--------------------|---|---------------|---------------|
| 1   | 13 800 705-99      | Wall-mounted basin spout without pop-up waste | 1             | 30            |
| 2   | 09 20 70 050-99    | handle  | 1             | 30            |
| 3   | 09 31 11 030 90    | pin   | 1             | 2             |
| 4   | 90 31 20 087 00-99 | plug  | 1             | 30            |
| 5   | 09 11 02 288-99    | cover   | 1             | 30            |
| 6   | 09 27 78 039-99    | rosette                                       | 1             | 30            |
| 7   | 09 14 10 049 90    | seal  | 1             | 2             |
| 8   | 90 15 05 064 01 90 | cartridge                                     | 1             | 2             |
| 9   | 09 30 09 064 90    | key   | 1             | 2             |