




Wall-mounted single-lever basin mixer without pop-up waste

IMO

36 860 670



- 140 mm projection
- fixed spout
- rectangular, air-enriched flow
- hole diameter spout 37 mm
- hole diameter single-lever mixer 57 mm
- rosette for spout 80 x 60mm
- rosette for mixer 80 x 80mm
- max. flow 5.7 l/min
- lead-free

	Brushed Platinum	36 860 670-06
	Chrome	36 860 670-00
	Brushed Chrome	36 860 670-93

Required miscellaneous



Concealed wall-mounted single-lever mixer mixer on right 35 816 970 90

•NOTE: Not suitable for concealed installation. Connection by means of angle valves, mounted with screws to back wall.

Required miscellaneous

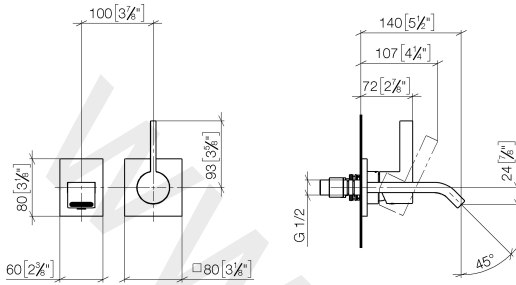


Concealed wall-mounted single-lever mixer 35 860 970 90

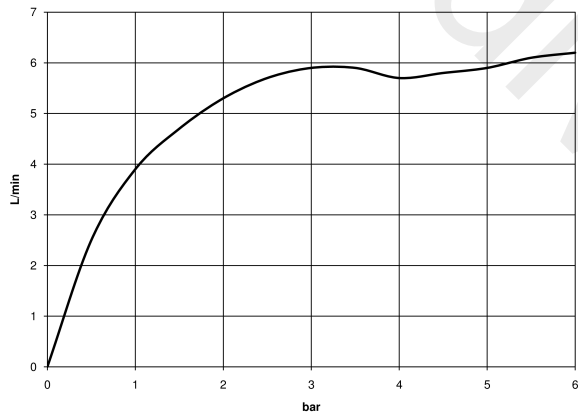
- min. recess depth 80 mm
- max. recess depth 95 mm

36 860 670

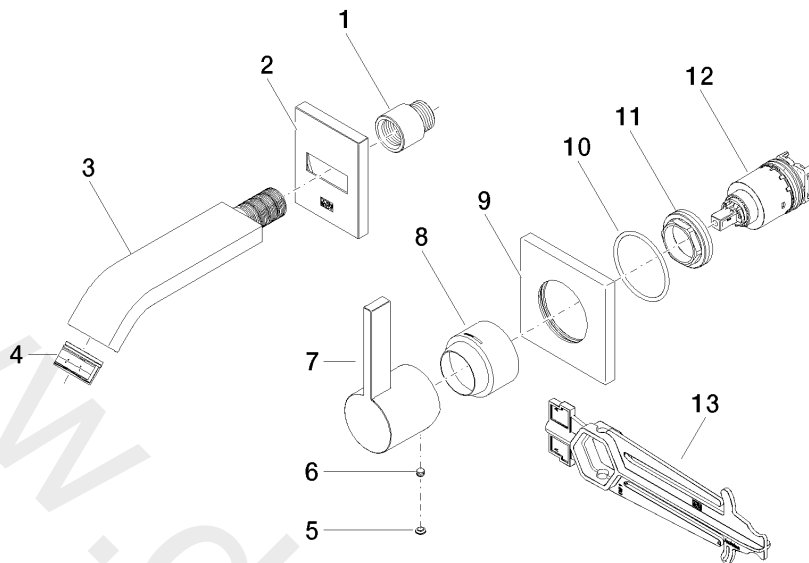
mm [inches]



Flow rate chart



36 860 670



Spare parts list

No.	Item Number	Name	Quantity used	Delivery time
1	09 24 03 072 10 90	nipple	1	2
2	90 27 67 005 00-06	rosette	1	10
3	04 28 22 242 00-06	spout	1	10
4	90 29 03 109 00 90	aerator	1	2
5	90 31 20 087 00-06	plug	1	10
6	04 31 11 112 00 90	pin	1	2
7	09 20 67 004-06	handle	1	10
8	09 11 02 530-06	cover	1	10
9	09 27 78 039-06	rosette	1	10
10	09 14 10 049 90	seal	1	2
11	09 24 04 105 90	nut	1	2
12	90 15 05 064 01 90	cartridge	1	2
13	09 30 09 064 90	key	1	2