

36 805 782



- 185 mm projection
- fixed spout
- rectangular, air-enriched flow
- hole diameter 35 mm
- rosette Ø 60 mm
- max. flow 5.7 l/min
- lead-free
- with single-point mounting

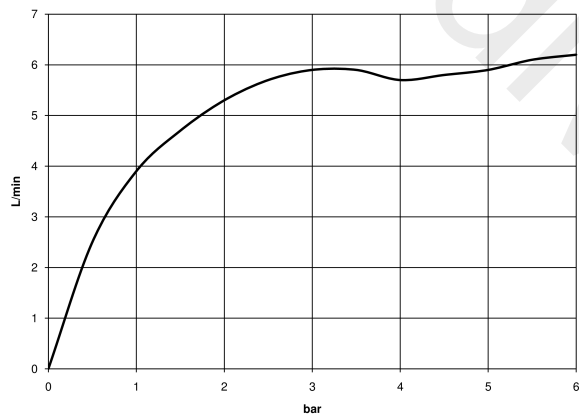
	Brushed Dark Platinum	36 805 782-99
	Chrome	36 805 782-00
	Brushed Platinum	36 805 782-06
	Platinum	36 805 782-08
	Dark Chrome	36 805 782-19
	Brushed Durabronze (23kt Gold)	36 805 782-28
	Brushed Champagne (22kt Gold)	36 805 782-46
	Champagne (22kt Gold)	36 805 782-47

Required miscellaneous

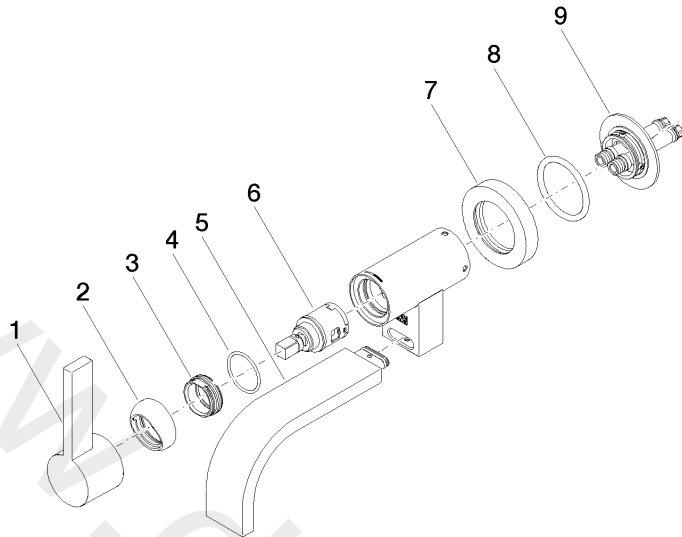


- Concealed wall mounting** 35 050 970 90
- min. recess depth 80 mm
  - max. recess depth 105 mm

Flow rate chart



36 805 782



Spare parts list

No.	Item Number	Name	Quantity used	Delivery time
1	90 20 87 003 00-99	handle	1	-
2	09 28 30 043-99	cover	1	30
3	09 24 04 266 90	nut	1	2
4	09 14 10 120 90	seal	1	2
5	90 28 22 361 00-99	spout	1	-
6	90 15 05 042 00 90	cartridge	1	2
7	09 27 89 004-99	rosette	1	30
8	09 14 10 041 90	seal	1	2
9	90 30 11 296 00 90	flange	1	2