

Wall-mounted basin mixer without pop-up waste

MEM

36 717 782



- 240 mm projection
- fixed spout
- rectangular, air-enriched flow
- hole diameter valve 40 mm
- hole diameter spout 40 mm
- individual rosette 60 x 60 mm
- max. flow 5.7 l/min
- lead-free

	Brushed Dark Platinum	36 717 782-99
	Chrome	36 717 782-00
	Brushed Platinum	36 717 782-06
	Platinum	36 717 782-08
	Dark Chrome	36 717 782-19
	Brushed Durabronze (23kt Gold)	36 717 782-28
	Brushed Champagne (22kt Gold)	36 717 782-46
	Champagne (22kt Gold)	36 717 782-47

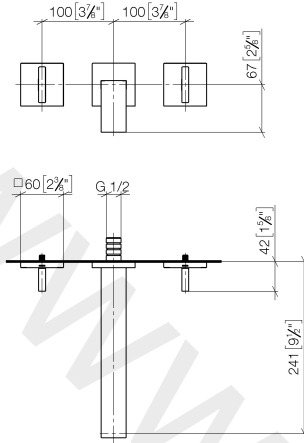
Required miscellaneous



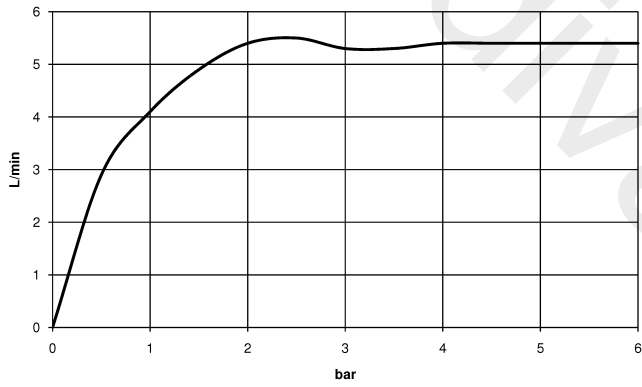
- Concealed wall-mounted mixer** 35 700 970 90
Centred spout
- min. recess depth 93 mm
 - max. recess depth 138 mm

36 717 782

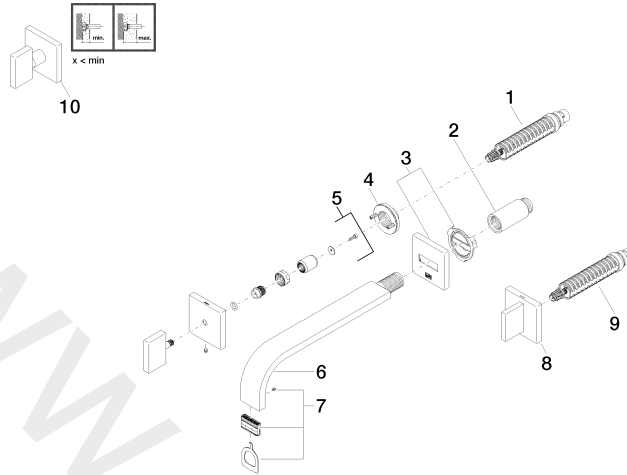
mm [inches]



Flow rate chart



36 717 782



Spare parts list

No.	Item Number	Name	Quantity used	Delivery time
1	90 90 03 156 00 90	top	1	2
2	09 24 03 081 10 90	extension	1	2
3	90 27 78 035 00-99	rosette	1	30
4	90 21 02 108 00 90	disc	2	2
5	90 20 78 002 07-99	handle (hot)	1	30
6	04 28 22 148 10-99	spout	1	30
7	90 29 03 109 00 90	aerator	1	2
8	90 20 78 002 06-99	handle (cold)	1	30
9	90 90 03 157 00 90	top	1	2
10	04 20 78 002 01-99	handle	1	30