

36 712 892



- 190 mm projection
- fixed spout
- circular, air-enriched flow
- hole diameter valve 40 mm
- hole diameter spout 40 mm
- rosette Ø 55 mm
- max. flow 7 l/min
- lead-free
- WRAS: 2107049

	Brushed Dark Platinum	36 712 892-99
	Chrome	36 712 892-00
	Brushed Platinum	36 712 892-06
	Platinum	36 712 892-08
	Matte White	36 712 892-10
	Dark Chrome	36 712 892-19
	Brushed Durabronze (23kt Gold)	36 712 892-28
	Matte Black	36 712 892-33
	Brushed Champagne (22kt Gold)	36 712 892-46
	Champagne (22kt Gold)	36 712 892-47
	Brushed Chrome	36 712 892-93

Required miscellaneous



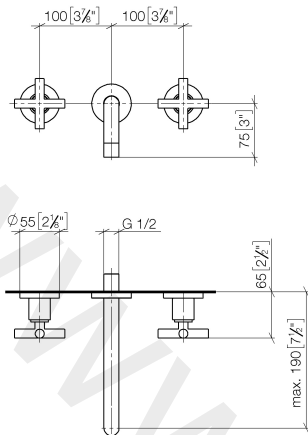
Concealed wall-mounted mixer 35 700 970 90

Centred spout

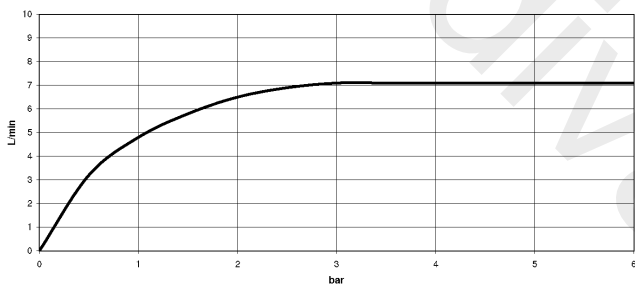
- min. recess depth 70 mm
- max. recess depth 135 mm

36 712 892

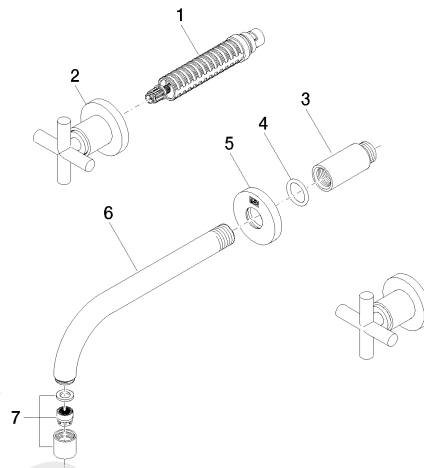
mm [inches]



Flow rate chart



36 712 892



Spare parts list

No.	Item Number	Name	Quantity used	Delivery time
1	90 90 03 157 00 90	top	2	2
2	36 310 892-99	connection	2	30
3	09 24 03 081 10 90	extension	1	2
4	09 14 10 026 90	seal	1	2
5	09 27 22 503-99	rosette	1	30
6	04 28 22 090 10-99	spout	1	30
7	90 23 01 019 00-99	aerator	1	30