

Wall-mounted basin mixer without pop-up waste

MEM

36 712 782



- 200 mm projection
- fixed spout
- rectangular, air-enriched flow
- hole diameter valve 40 mm
- hole diameter spout 40 mm
- individual rosettes 60 x 60 mm
- max. flow 5.7 l/min
- lead-free

	Brushed Dark Platinum	36 712 782-99
	Chrome	36 712 782-00
	Brushed Platinum	36 712 782-06
	Platinum	36 712 782-08
	Dark Chrome	36 712 782-19
	Brushed Durabronze (23kt Gold)	36 712 782-28
	Brushed Champagne (22kt Gold)	36 712 782-46
	Champagne (22kt Gold)	36 712 782-47

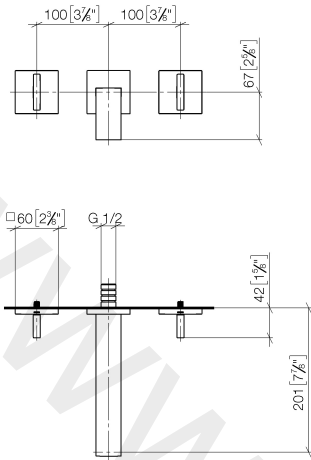
Required miscellaneous



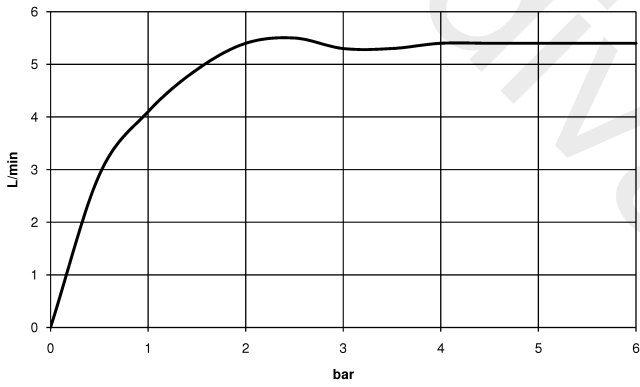
- Concealed wall-mounted mixer** 35 700 970 90
Centred spout
- min. recess depth 93 mm
 - max. recess depth 138 mm

36 712 782

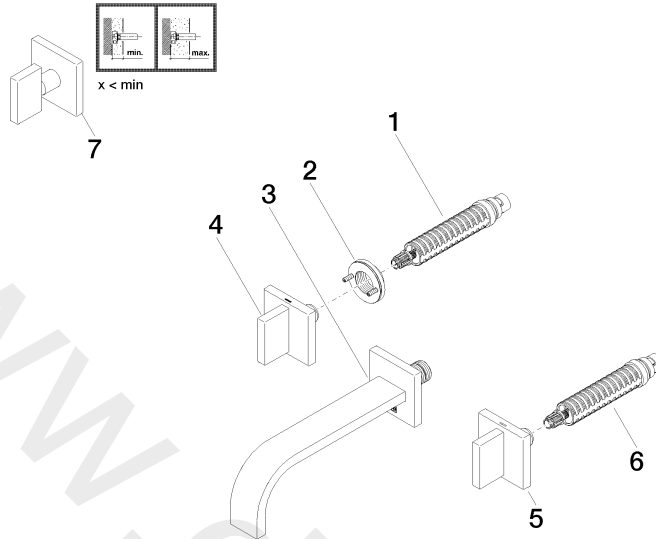
mm [inches]



Flow rate chart



36 712 782



Spare parts list

No.	Item Number	Name	Quantity used	Delivery time
1	90 90 03 156 00 90	top	1	2
2	90 21 02 108 00 90	disc	2	2
3	13 800 782-99	Wall-mounted basin spout without pop-up waste	1	30
4	90 20 78 002 07-99	handle (hot)	1	30
5	90 20 78 002 06-99	handle (cold)	1	30
6	90 90 03 157 00 90	top	1	2
7	04 20 78 002 01-99	handle	1	30