







36 712 361



- 190 mm projection
- fixed spout
- circular, air-enriched flow
- hole diameter valve 40 mm
- hole diameter spout 40 mm
- slide-on rosettes Ø 55 mm
- max. flow 7 l/min
- lead-free

	Brushed Dark Platinum	36 712 361-99
	Chrome	36 712 361-00
	Brushed Platinum	36 712 361-06
	Platinum	36 712 361-08
	Durabass (23kt Gold)	36 712 361-09
	Brushed Durabass (23kt Gold)	36 712 361-28

Required miscellaneous

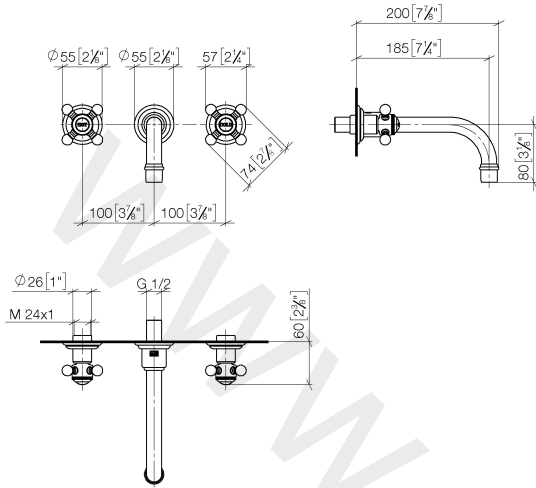


**Concealed wall-mounted mixer
Centred spout** 35 700 970 90

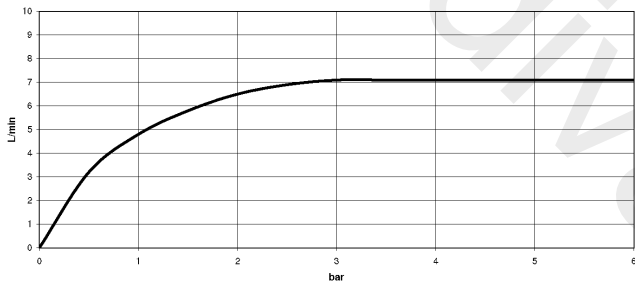
- min. recess depth 55 mm
- max. recess depth 115 mm

36 712 361

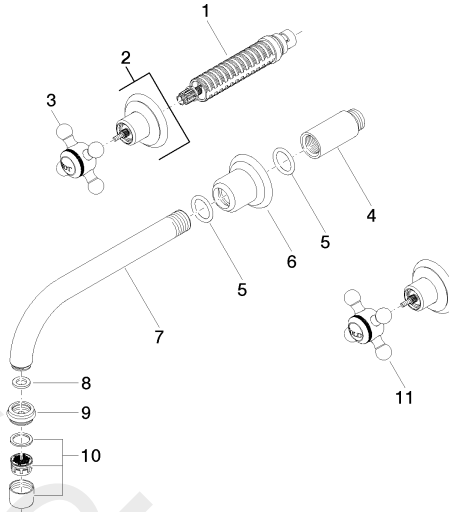
mm [inches]



Flow rate chart



36 712 361



36 712 361-FF

Spare parts list

No.	Item Number	Name	Quantity used	Delivery time
1	90 90 03 157 00 90	top	2	2
2	36 310 361-99	connection	2	30
3	04 20 36 100 01-99	handle (hot)	1	30
4	09 24 03 081 10 90	extension	1	2
5	09 14 10 026 90	seal	1	2
6	09 27 36 010-99	rosette	1	30
7	04 28 22 090 10-99	spout	1	30
8	09 14 05 020 90	seal	1	2
9	09 24 03 022 10-99	nipple	1	30
10	90 23 01 119 02-99	aerator	1	30
11	04 20 36 100 00-99	handle (cold)	1	30