

36 702 819



- 125 mm projection
- fixed spout
- circular, air-enriched flow
- hole diameter valve 35 mm
- hole diameter spout 35 mm
- rosettes Ø 60 mm
- max. flow 5.7 l/min
- lead-free

	Brushed Dark Platinum	36 702 819-99
	Chrome	36 702 819-00
	Brushed Platinum	36 702 819-06
	Platinum	36 702 819-08
	Dark Chrome	36 702 819-19
	Brushed Durabronze (23kt Gold)	36 702 819-28
	Brushed Champagne (22kt Gold)	36 702 819-46
	Champagne (22kt Gold)	36 702 819-47

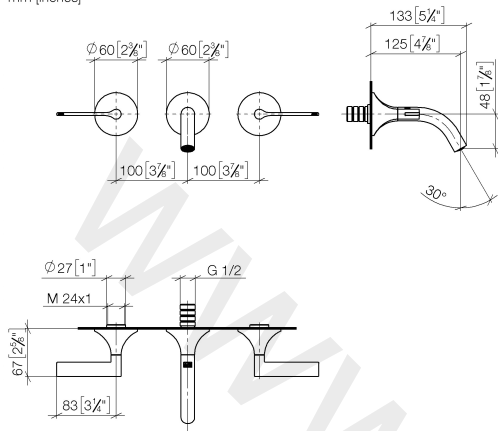
Required miscellaneous



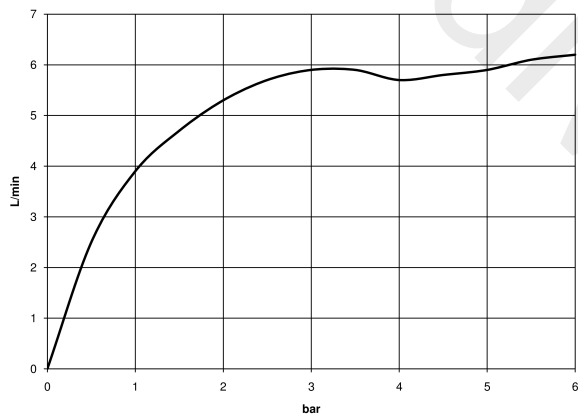
- Concealed wall-mounted mixer** 35 700 970 90
Centred spout
 • min. recess depth 60 mm
 • max. recess depth 132 mm

36 702 819

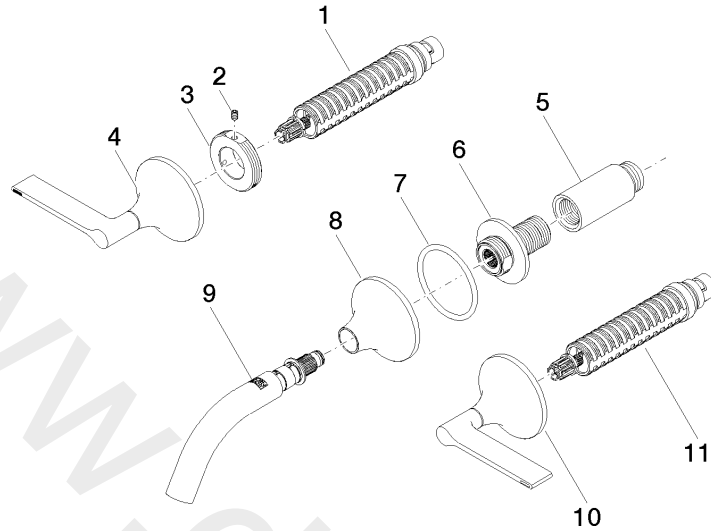
mm [inches]



Flow rate chart



36 702 819



Spare parts list

No.	Item Number	Name	Quantity used	Delivery time
1	90 90 03 157 00 90	top	1	2
2	09 31 11 008 90	pin	2	2
3	09 21 02 163 90	disc	2	2
4	90 20 80 013 00-99	handle (hot)	1	30
5	09 24 03 081 10 90	extension	1	2
6	09 24 03 269 90	nipple	1	2
7	09 14 10 084 90	seal	1	2
8	09 27 80 011-99	rosette	1	30
9	90 28 22 365 00-99	spout	1	30
10	90 20 80 012 00-99	handle (cold)	1	30
11	90 90 03 156 00 90	top	1	2