

## Wall-mounted basin mixer without pop-up waste

MEM

36 702 782



- 126 mm projection
- fixed spout
- rectangular, air-enriched flow
- hole diameter valve 35 mm
- hole diameter spout 35 mm
- individual rosettes 60 x 60 mm
- max. flow 5.7 l/min
- lead-free

	Brushed Dark Platinum	36 702 782-99
	Chrome	36 702 782-00
	Brushed Platinum	36 702 782-06
	Platinum	36 702 782-08
	Dark Chrome	36 702 782-19
	Brushed Durabronze (23kt Gold)	36 702 782-28
	Brushed Champagne (22kt Gold)	36 702 782-46
	Champagne (22kt Gold)	36 702 782-47

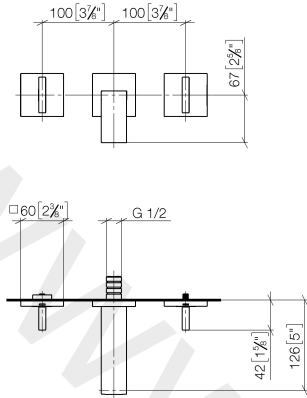
### Required miscellaneous



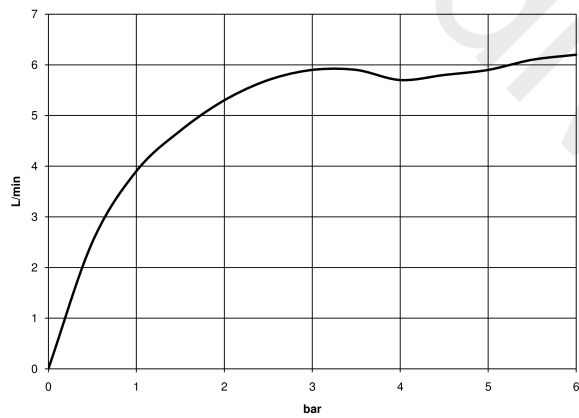
- Concealed wall-mounted mixer** 35 700 970 90  
**Centred spout**
- min. recess depth 93 mm
  - max. recess depth 138 mm

36 702 782

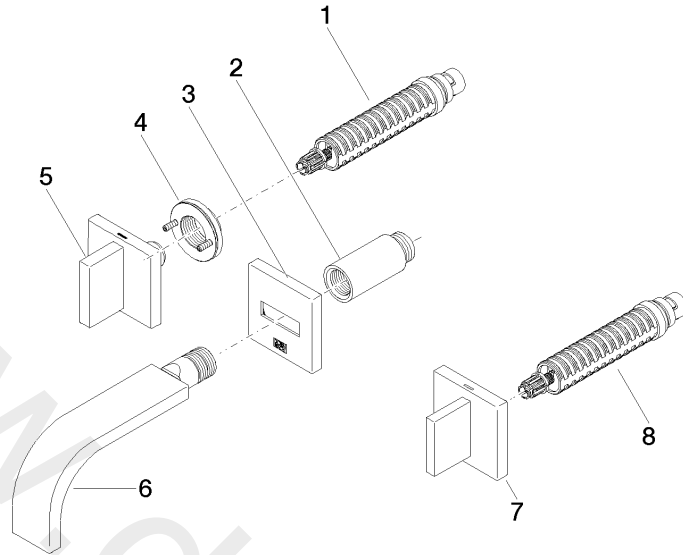
mm [inches]



Flow rate chart



36 702 782



Spare parts list

No.	Item Number	Name	Quantity used	Delivery time
1	90 90 03 156 00 90	top	1	2
2	09 24 03 081 10 90	extension	1	2
3	90 27 78 035 00-99	rosette	1	30
4	90 21 02 108 00 90	disc	1	2
5	90 20 78 002 07-99	handle ( hot )	1	30
6	90 28 22 357 00-99	spout	1	30
7	90 20 78 002 06-99	handle ( cold )	1	30
8	90 90 03 157 00 90	top	1	2