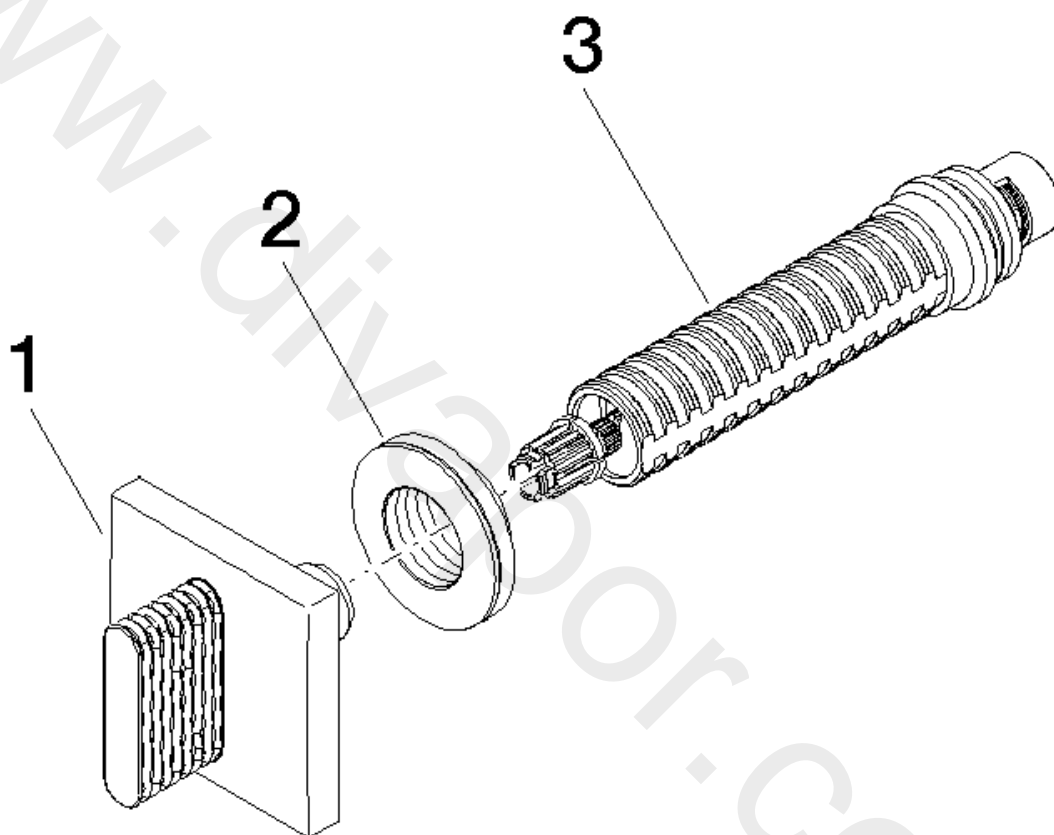


Shower - CL.1

Wall valve clockwise closing 3/4"

Article number: 36 628 705-99



Spare parts list

Position	Quantity used	Item Number	Spare part	Delivery time
1	1	90 20 70 053 01-99	handle	30
2	1	09 21 02 108 90	disc	60
3	1	90 90 03 127 00 90	top	2



Shower - CL.1

Wall valve clockwise closing 3/4"

Article number: 36 628 705-99

www.divapor.com