


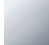


Wall valve anti-clockwise closing hot 1/2"

CL.1

36 627 707



- with CASCADE structure
- rosette 60 x 60 mm
- with hot marking
- head part with cut-to-length spindle and sleeve

	Brushed Dark Platinum	36 627 707-99
	Chrome	36 627 707-00
	Brushed Platinum	36 627 707-06
	Dark Chrome	36 627 707-19

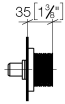
Required miscellaneous



- Wall valve 1/2"** 35 607 970 90
- min. recess depth 105 mm
 - max. recess depth 150 mm

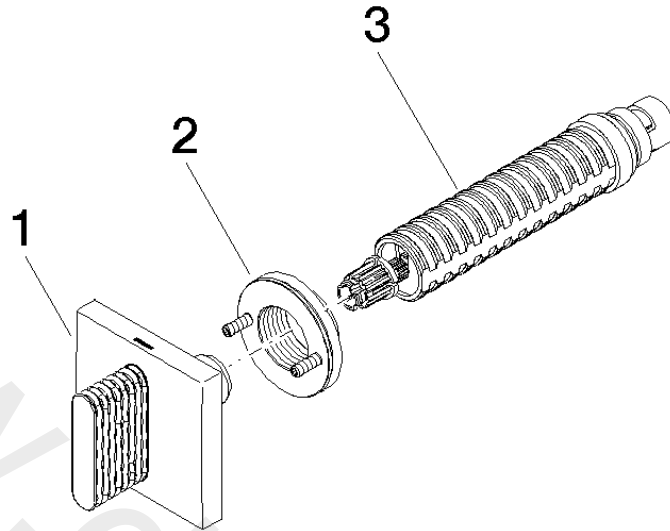
36 627 707

mm [inches]



www.divapor.com

36 627 707



Spare parts list

No.	Item Number	Name	Quantity used	Delivery time
1	90 20 70 053 03-99	handle (hot)	1	30
2	90 21 02 108 00 90	disc	1	2
3	90 90 03 142 00 90	top	1	2