
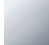




36 627 705

- with CASCADE structure
- rosette 60 x 60 mm
- without marking
- head part with cut-to-length spindle and sleeve



	Brushed Dark Platinum	36 627 705-99
	Chrome	36 627 705-00
	Brushed Platinum	36 627 705-06
	Dark Chrome	36 627 705-19

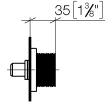
Required miscellaneous



Wall valve 1/2" 35 607 970 90
 •min. recess depth 105 mm
 •max. recess depth 150 mm

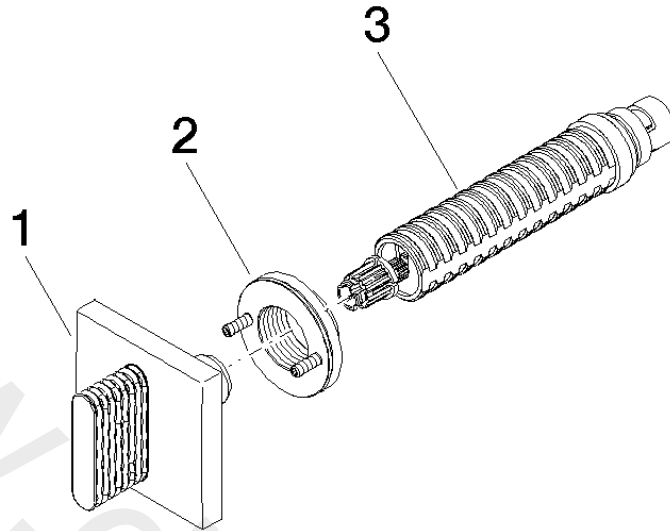
36 627 705

mm [inches]



www.divapor.com

36 627 705



Spare parts list

No.	Item Number	Name	Quantity used	Delivery time
1	90 20 70 053 01-99	handle	1	30
2	90 21 02 108 00 90	disc	1	2
3	90 90 03 143 00 90	top	1	2