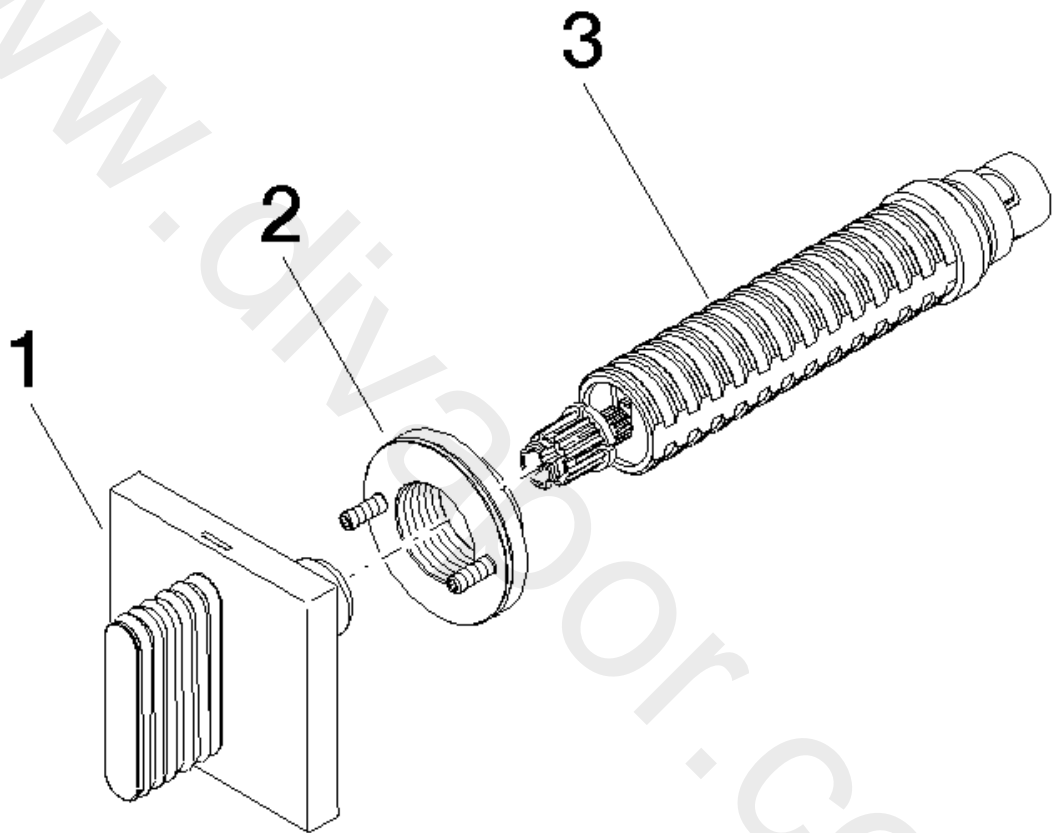


Shower - CL.1

Wall valve clockwise closing cold 1/2"

Article number: 36 617 706-99



Spare parts list

Position	Quantity used	Item Number	Spare part	Delivery time
1	1	90 20 70 055 02-99	handle (cold)	30
2	1	90 21 02 108 00 90	disc	2
3	1	90 90 03 143 00 90	top	2



Shower - CL.1

Wall valve clockwise closing cold 1/2"

Article number: 36 617 706-99

www.divapor.com