

36 501 979



- cover plate Ø 124 mm
- temperature control handle with safety limit stop at 38°C
- thermostat cartridge

Fits: TARA, VAIA, META

	Matte Black	36 501 979-33
	Chrome	36 501 979-00
	Brushed Platinum	36 501 979-06
	Platinum	36 501 979-08
	Durabrace (23kt Gold)	36 501 979-09
	Matte White	36 501 979-10
	Dark Chrome	36 501 979-19
	Brushed Durabrace (23kt Gold)	36 501 979-28
	Brushed Champagne (22kt Gold)	36 501 979-46
	Champagne (22kt Gold)	36 501 979-47
	Brushed Chrome	36 501 979-93
	Brushed Dark Platinum	36 501 979-99

Required miscellaneous



xTOOL Concealed thermostat module without volume control 35 503 970 90
 •min. recess depth 85 mm
 •max. recess depth 110 mm

Recommended miscellaneous



xGRID Attachment set for integrating in the dry wall construction 12 340 970 90

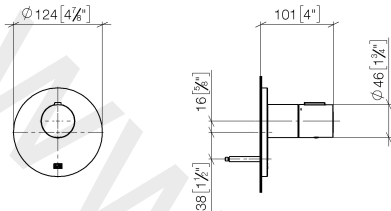
Required miscellaneous



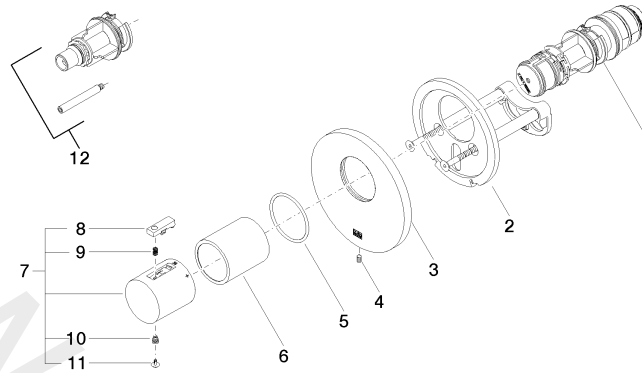
xGRID Installation track 555 mm 12 360 970 90

36 501 979

mm [inches]



36 501 979



Spare parts list

No.	Item Number	Name	Quantity used	Delivery time
1	90 15 02 063 00 90	cartridge	1	2
2	90 11 01 196 00 90	base	1	2
3	09 11 02 537-33	cover	1	30
4	09 31 11 048 90	pin	1	2
5	09 14 10 049 90	seal	1	2
6	09 21 02 112-33	sleeve	1	30
7	90 17 33 004 00-33	handle	1	30
8	90 21 33 010 00-13	handle	1	2
9	90 16 02 027 00 90	spring	1	2
10	09 30 30 136 90	screw	1	2
11	09 31 20 049-13	plug	1	30
12	12 178 970 90	Extension 46 mm	1	2