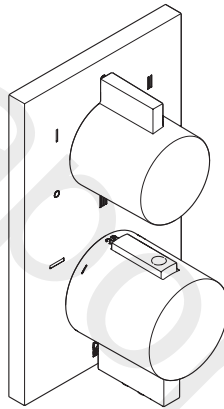
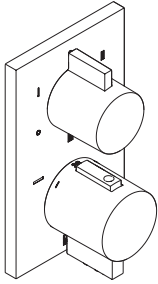


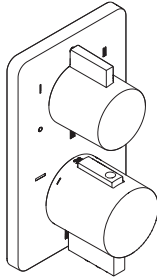
Dornbracht Assembly Instructions

For use with shower heads rated at 1.4 gpm / 5.3 l/min or higher.

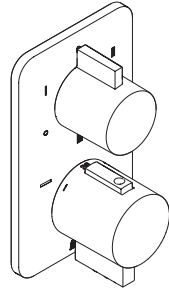




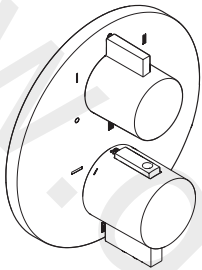
36 428 670-FF 0010



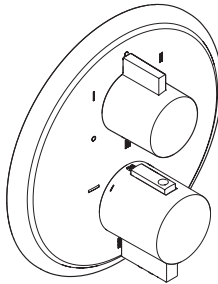
36 428 710-FF 0010



36 428 845-FF 0010



36 428 970-FF 0010



36 428 977-FF 0010

General warnings



Caution!

This icon warns of property damage due to non-compliance with the safety instructions.



Note!

This icon warns of possible property damage due to non-compliance with the installation instructions.

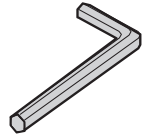
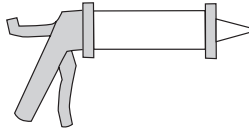
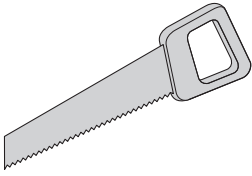
All work must be carried out exclusively by trained, qualified personnel! Only then can the manufacturer assume liability. National accident prevention regulations have priority in all cases. Operating conditions and dimensions can be found in the appendix.

Care and Maintenance



Technical data

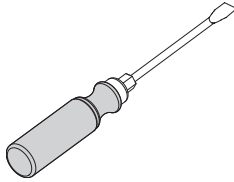
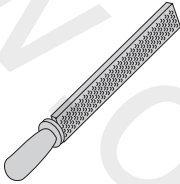
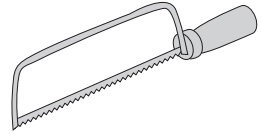
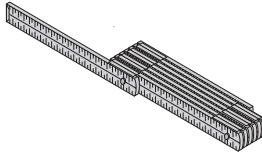
dornbracht.com
> Professional



2 / 2,5 / 6 / 10 mm

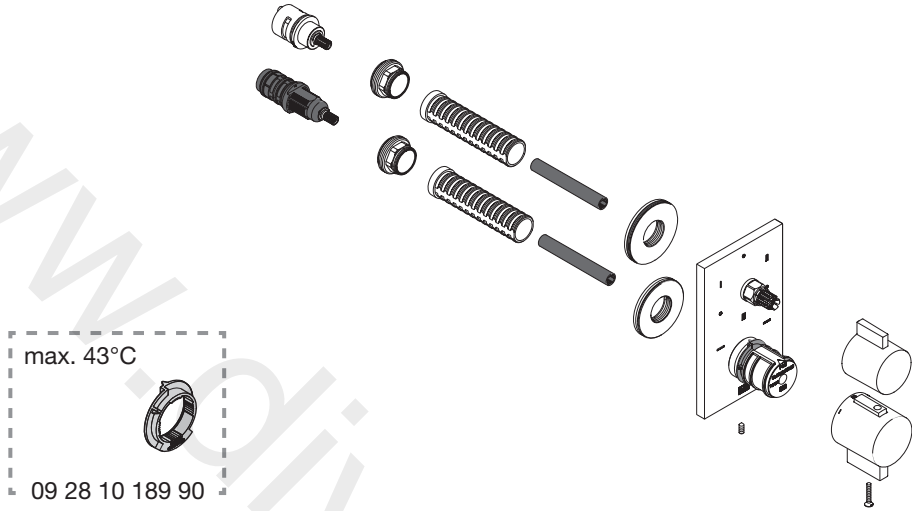


22 / 24 mm



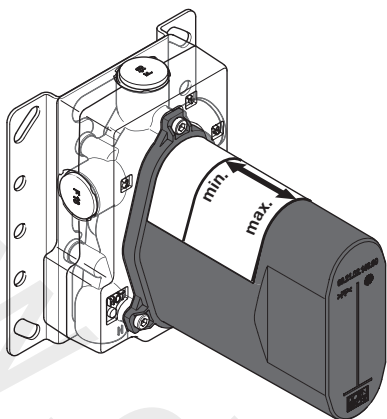
Parts supplied

36 428 670-FF 0010 / 36 428 710-FF 0010 / 36 428 845-FF 0010 / 36 428 970-FF 0010 /
36 428 977-FF 0010

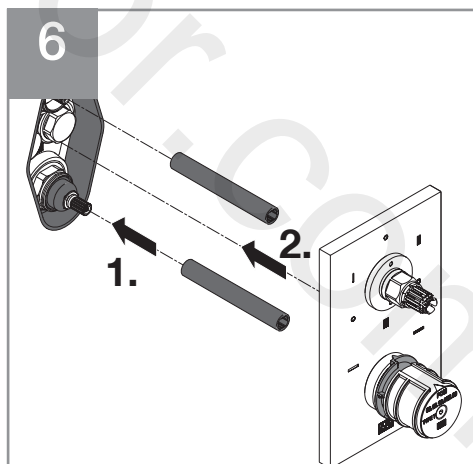
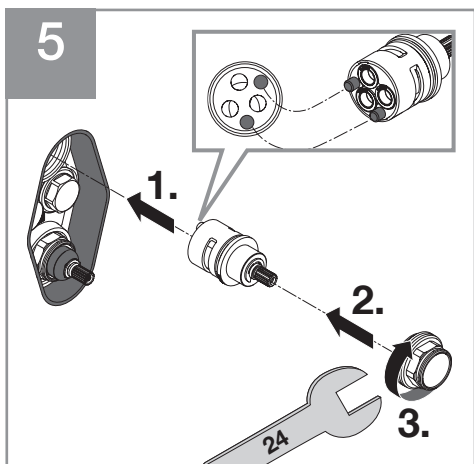
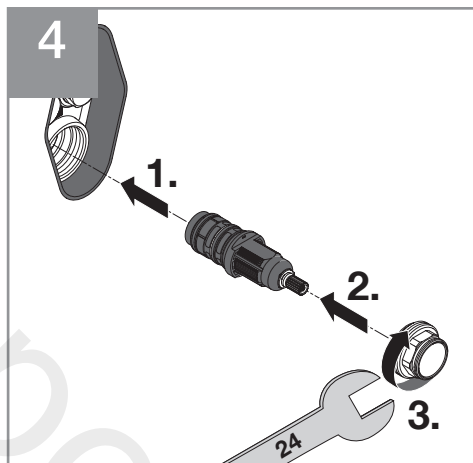
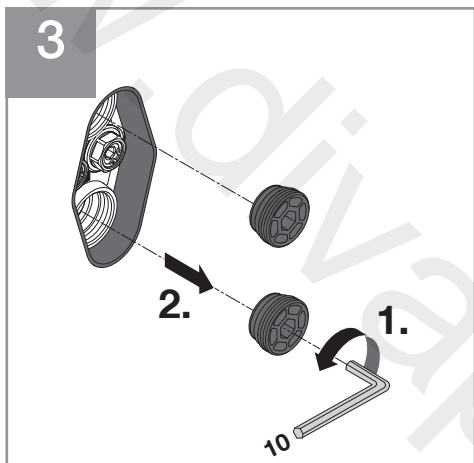
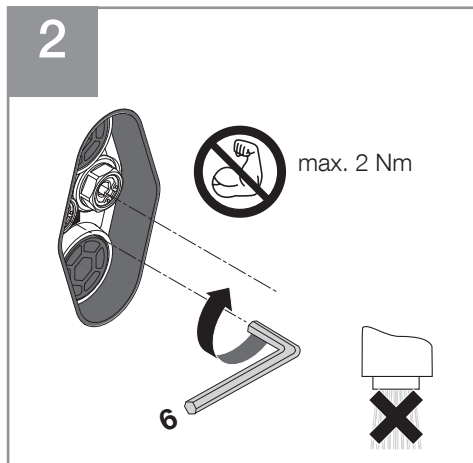
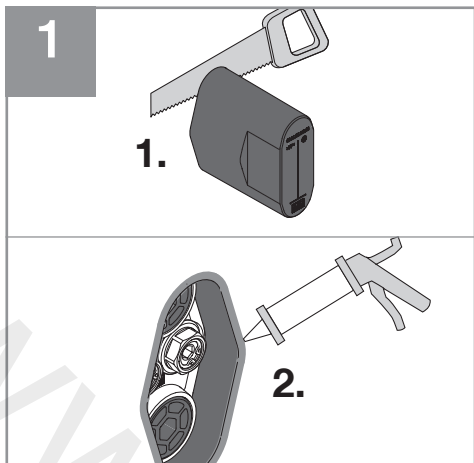


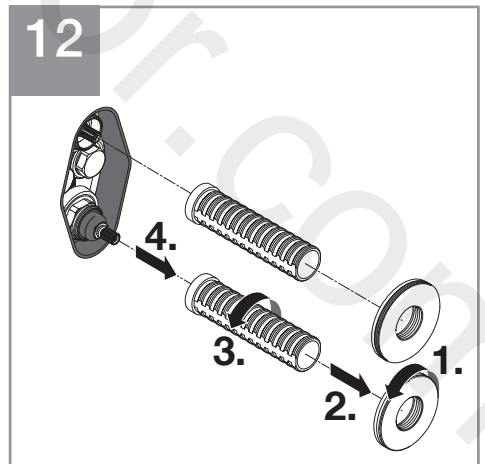
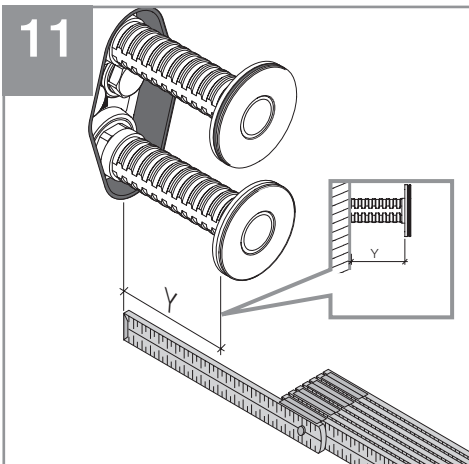
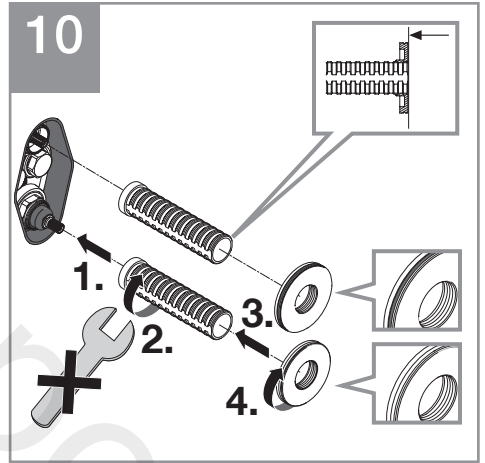
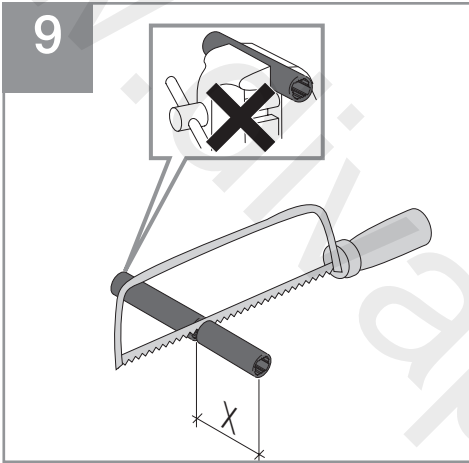
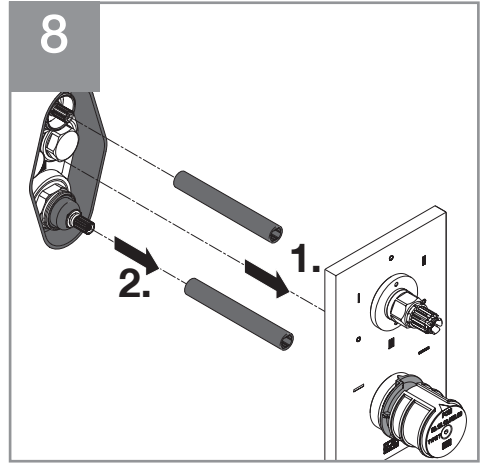
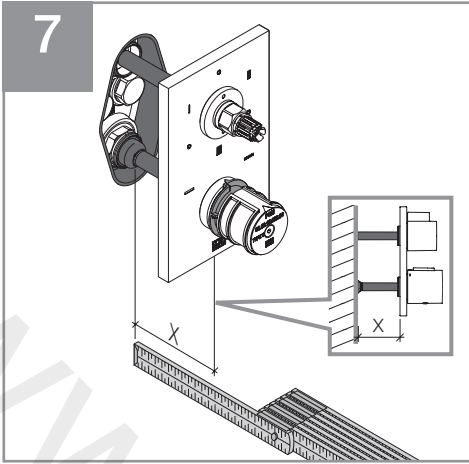
Required miscellaneous article

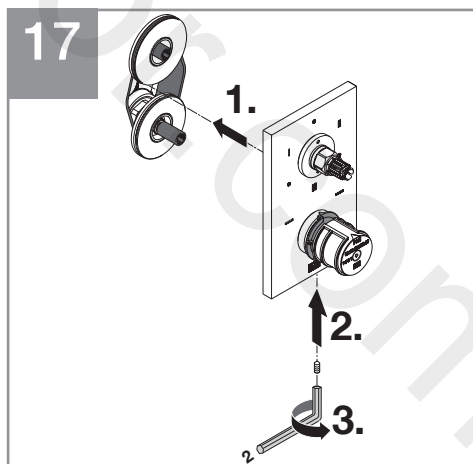
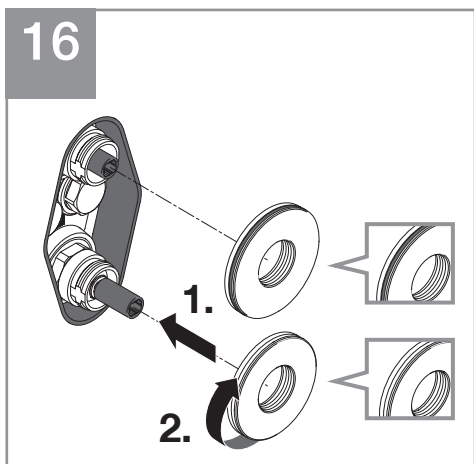
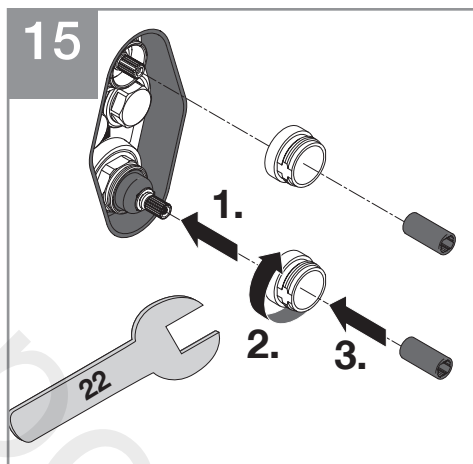
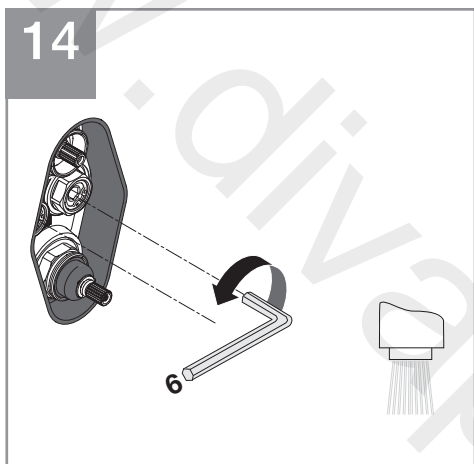
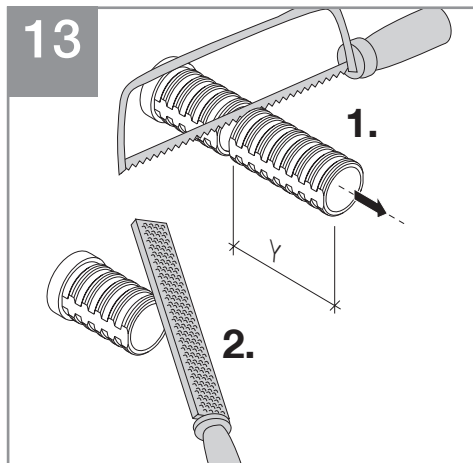
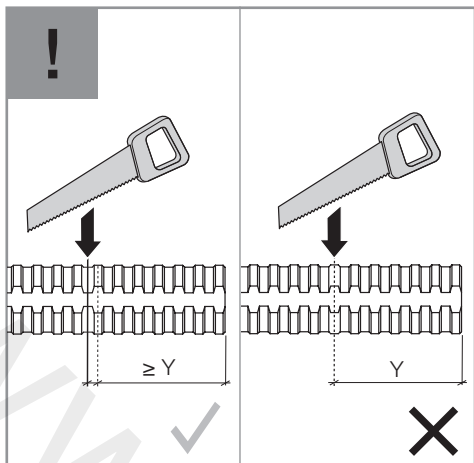
35 428 970-90 0010

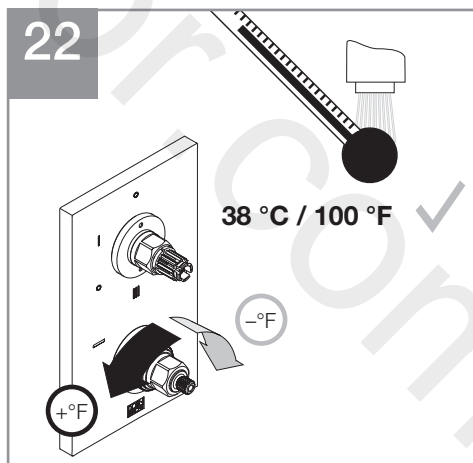
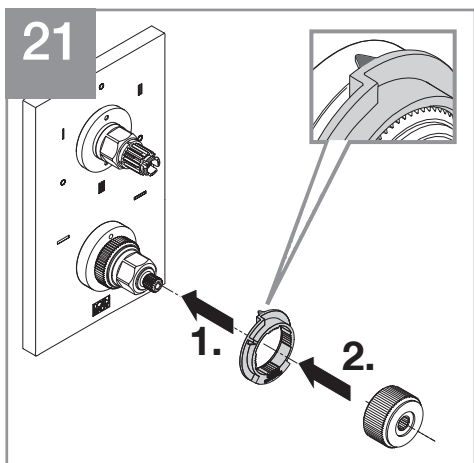
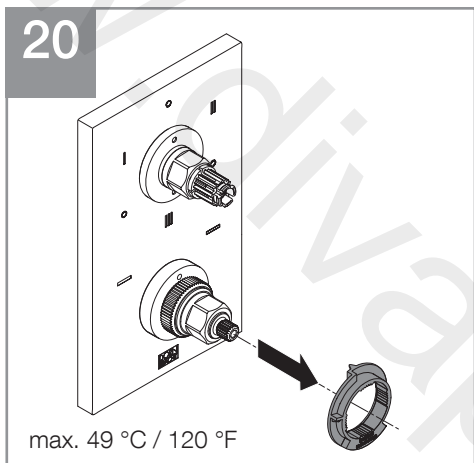
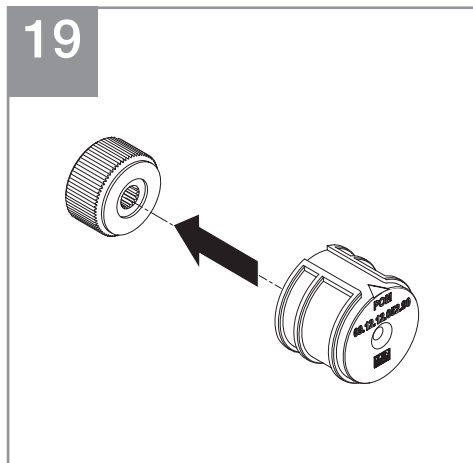
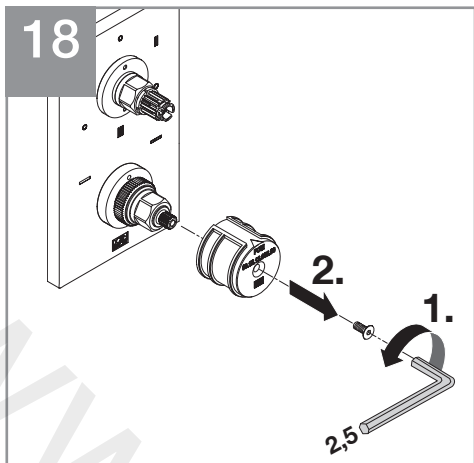


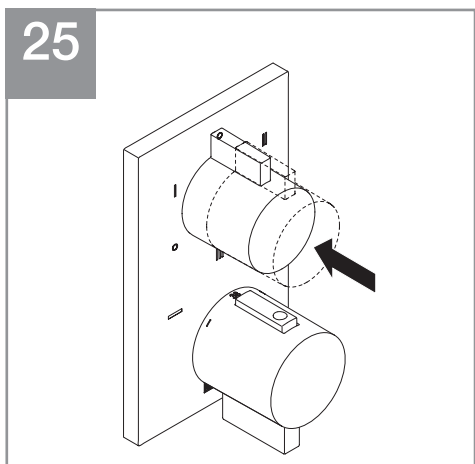
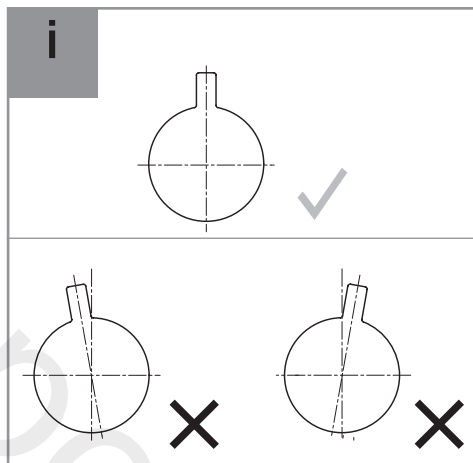
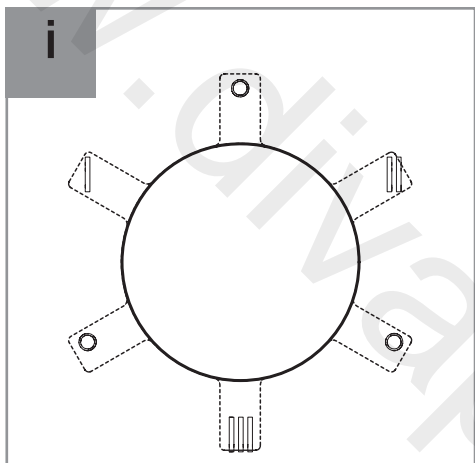
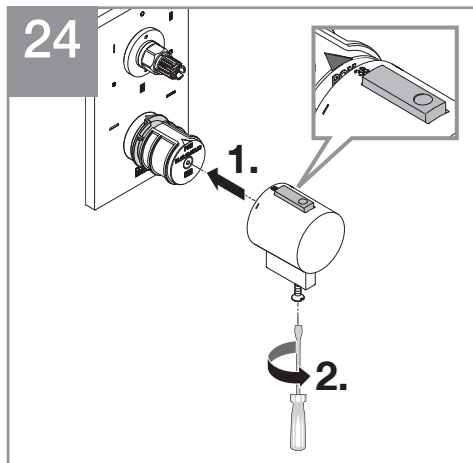
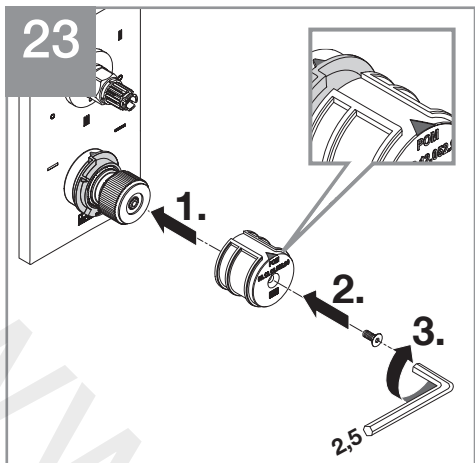
TOP	
3 Wege	3 function
3 Weis	3 voies
3 We	3 We
3 We	3 We
35 428 970-90 00 10	
<small>Handbuch Montageanleitung</small>	
<small>01 281 16 970 00</small>	





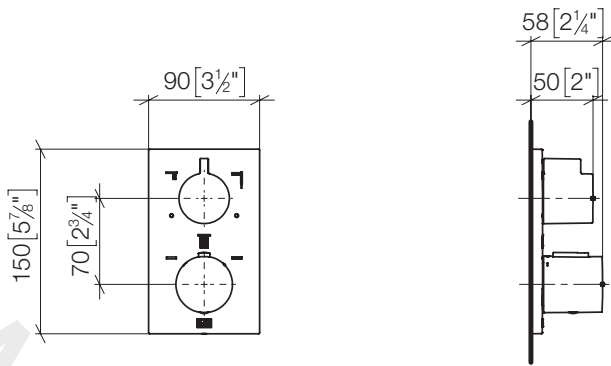






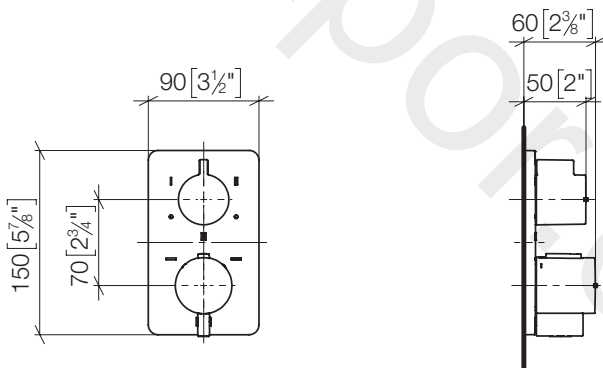
36 428 670-FF 0010

mm [inches]



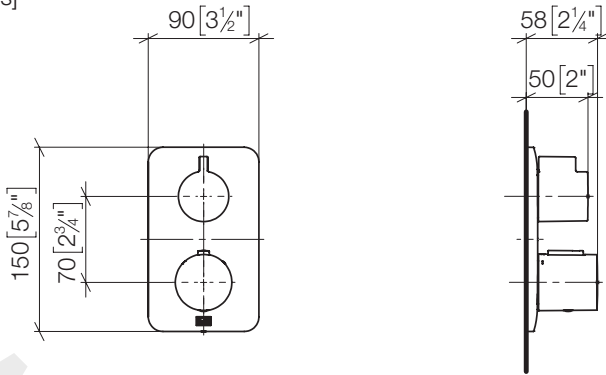
36 428 710-FF 0010

mm [inches]



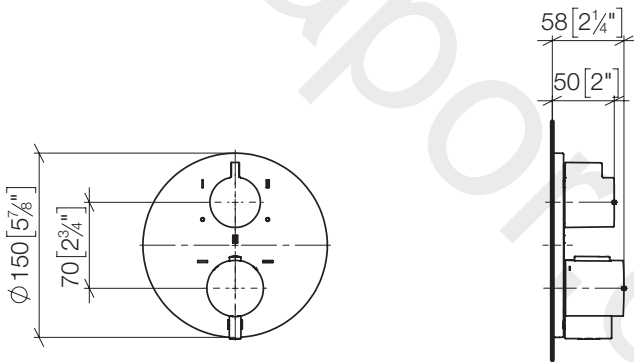
36 428 845-FF 0010

mm [inches]



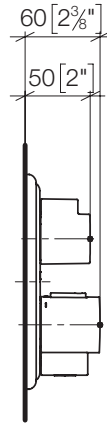
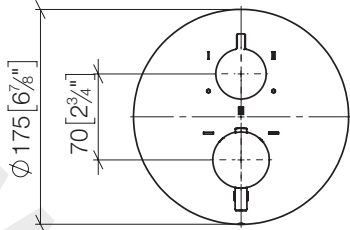
36 428 970-FF 0010

mm [inches]



36 428 977-FF 0010

mm [inches]



Operating conditions

Cold water temperature range	41 - 77 °F
Hot water temperature range	131 - 149 °F
Recommended flow temperature	140 °F
Thermal disinfection (3 - 10 Min.)	≤ 194 °F
Minimum flow pressure	15 psi
Maximum flow pressure	73 psi
Recommended flow pressure	45 psi

In order for the noise levels to comply with the national requirements, a pressure reducer must be installed in the supply line at a static pressure above 5 bar / 73 psi.

The thermostat meets the requirements according to EN 1111.

Dornbracht AG & Co. KG
Köbbingser Mühle 6, D-58640 Iserlohn
Tel. +49(0)2371433-0, Fax +49(0)2371433-232
mail@dornbracht.de, dornbracht.com

www.divapor.com



01 03 16 001 00 / 04.2021