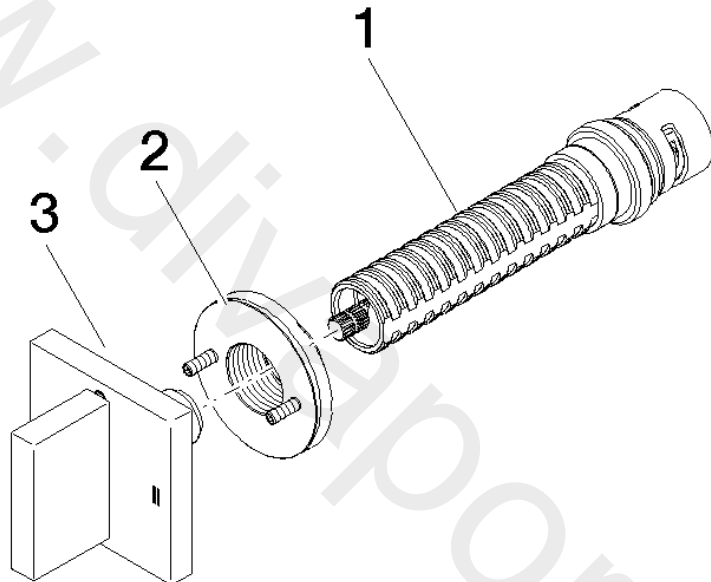


Bathtub - MEM

Wall mounted two-way diverter - Chrome

Article number: 36 200 782-00 0010

Date of manufacture from 4/1/2022



Spare parts list

Position	Number of units	Item Number	Spare part	Lead time
1	1	90 90 03 306 10 90	diverter	2
2	1	90 21 02 181 00 90	disc	2
3	1	90 20 78 002 09-00	handle	10



Bathtub - MEM

Wall mounted two-way diverter - Chrome

Article number: 36 200 782-00 0010

Date of manufacture from 4/1/2022

www.divapor.com