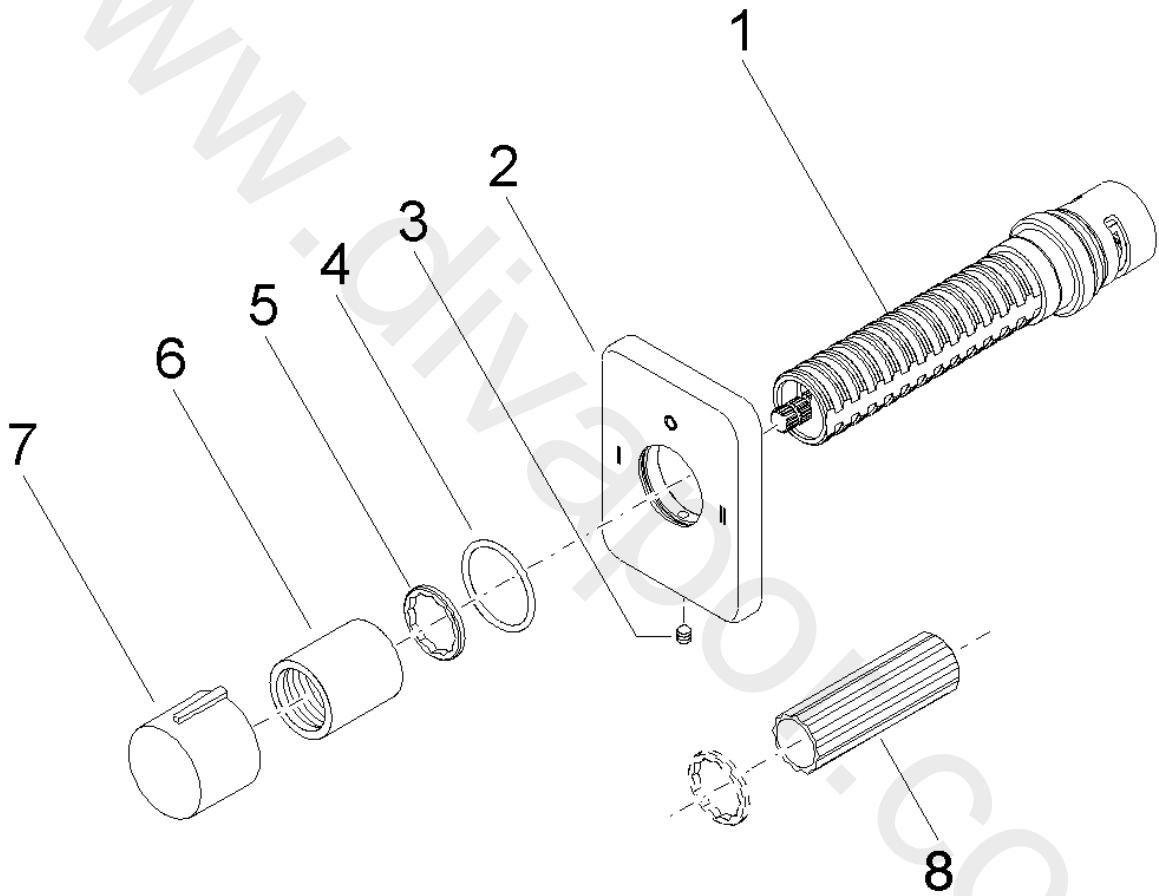


Bathtub - LULU

Wall mounted two-way diverter - Chrome

Article number: 36 200 710-00 0010

Date of manufacture from 4/1/2022





Bathtub - LULU

Wall mounted two-way diverter - Chrome

Article number: 36 200 710-00 0010

Date of manufacture from 4/1/2022

Spare parts list

Position	Number of units	Item Number	Spare part	Lead time
1	1	90 90 03 306 10 90	diverter	2
2	1	09 27 71 116-00	rosette	60
3	1	09 31 11 007 90	pin	2
4	1	09 14 10 063 90	seal	2
5	1	09 16 01 025 90	ring	2
6	1	09 21 02 070-00	cover	10
7	1	09 20 97 030-00	handle	10
8	1	09 30 09 010 90	key	2