

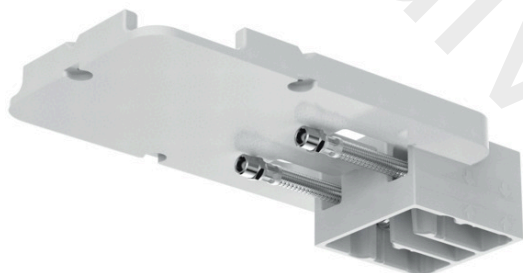
AXOR ShowerSolutions
Basic set for overhead shower ceiling
Finish: Article Number: **35363187**



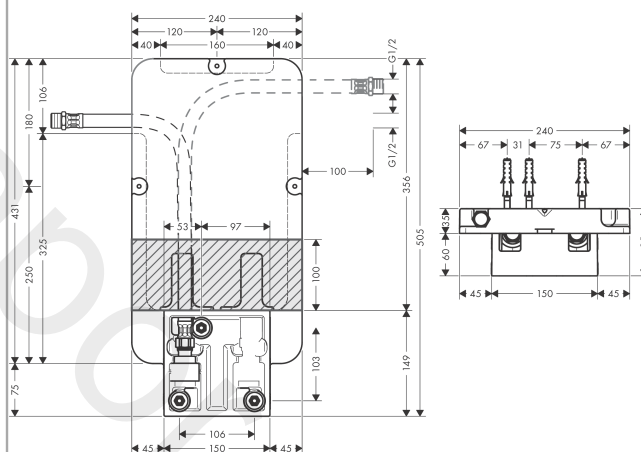
product features

- ServiceCard with sieve and flow restrictor can be removed without tools for cleaning purpose
- connection dimension: Rp 1/2

Product image



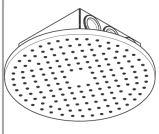
Scale drawing



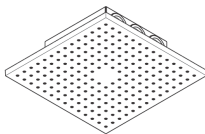
AXOR ShowerSolutions
Basic set for overhead shower ceiling
 Finish: Article Number: **35363187**



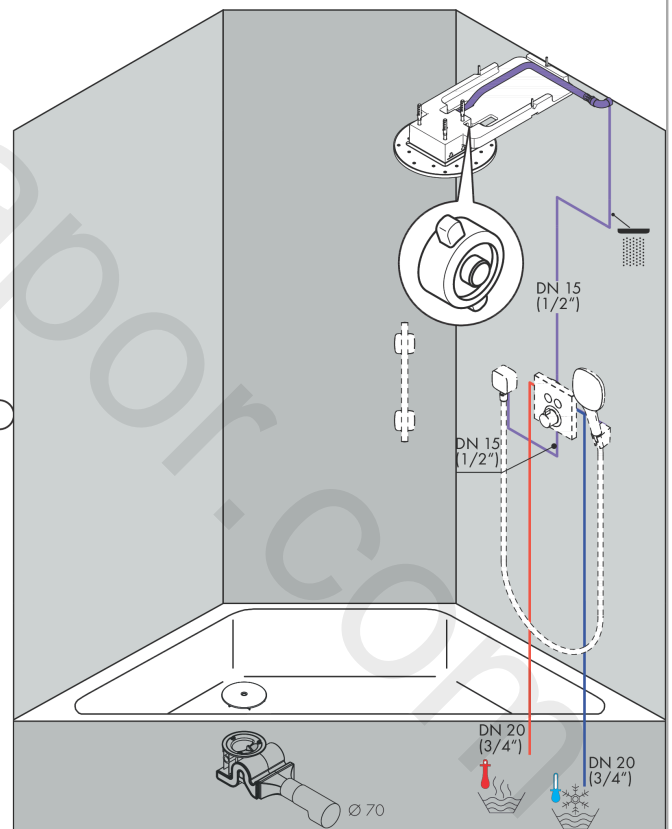
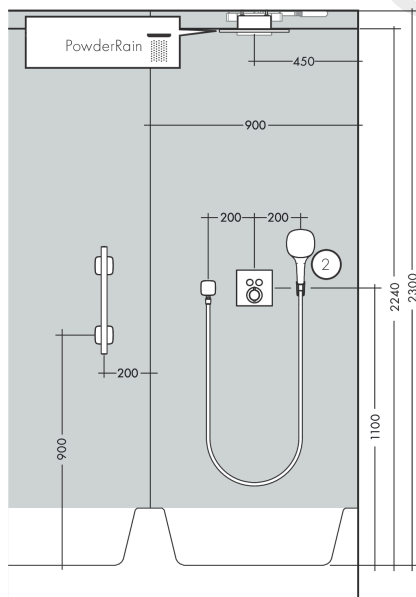
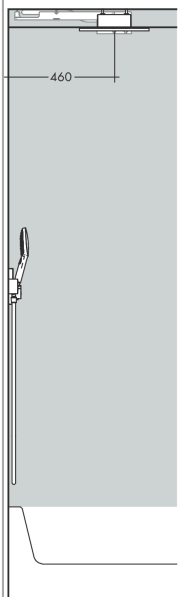
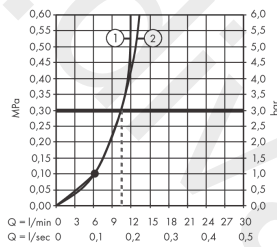
Installation examples



AXOR 250 1jet
 35287007



AXOR 250/250 1jet
 35309007
 AXOR 300/300 1jet
 35317007

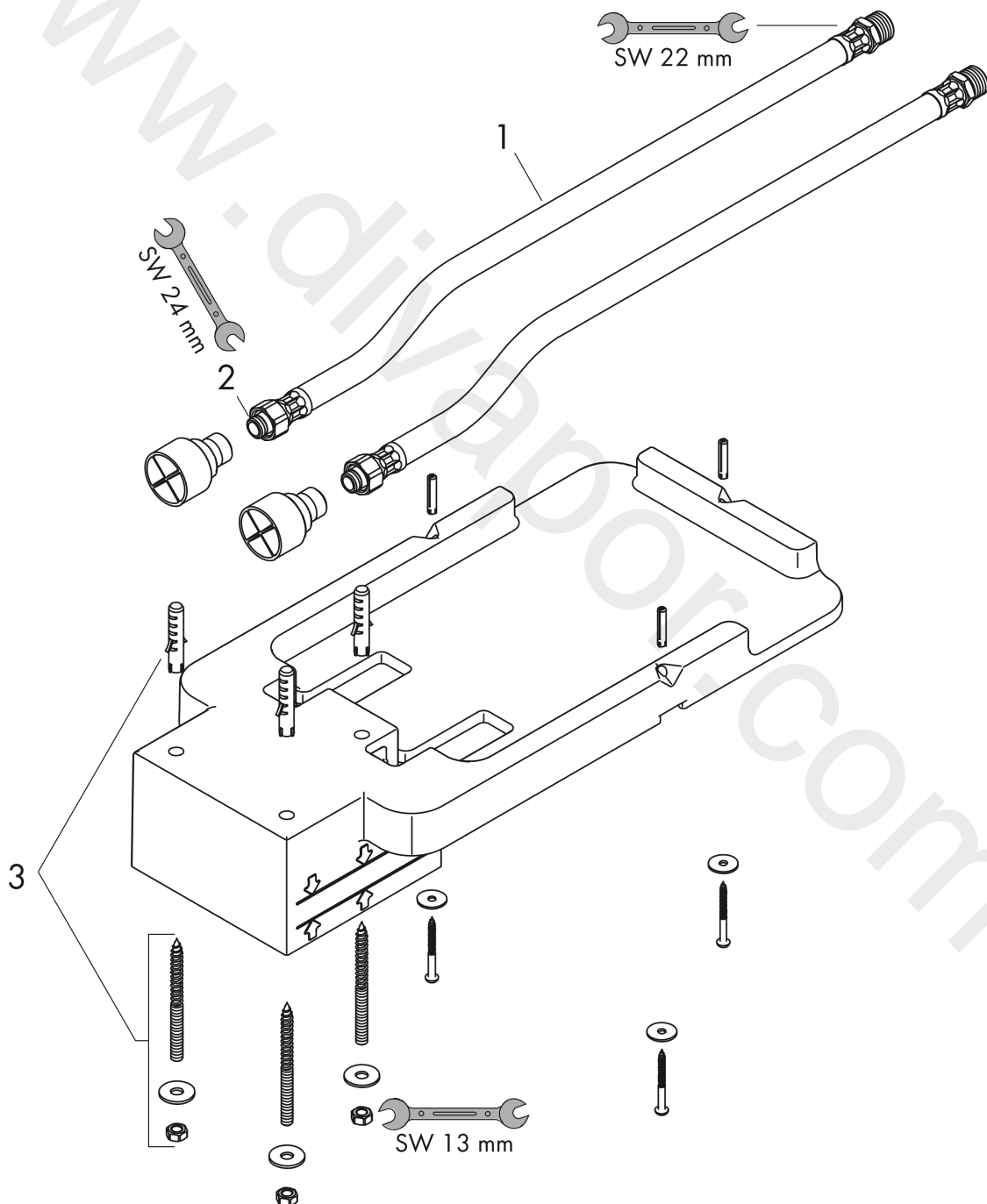


AXOR ShowerSolutions
Basic set for overhead shower ceiling
Finish: Article Number: **35363187**



Exploded Drawing

Year of production: >01/19



AXOR ShowerSolutions
Basic set for overhead shower ceiling
 Finish: Article Number: **35363187**



Spare part list

Year of production: >01/19

Pos.		Article Number	Price	PU
1	pressure hose	96565000	£ 43,00	1
2	O-ring 11x2	98127000	£ 3,30	1
3	mounting kit	97722000	£ 64,00	1