

**AXOR ShowerSolutions**  
**Basic set for overhead shower ceiling**  
 Finish: n.a. Article Number: **35363180**



### product features

- ServiceCard with sieve and flow restrictor can be removed without tools for cleaning purpose
- connection dimension: Rp 1/2

### Article Details

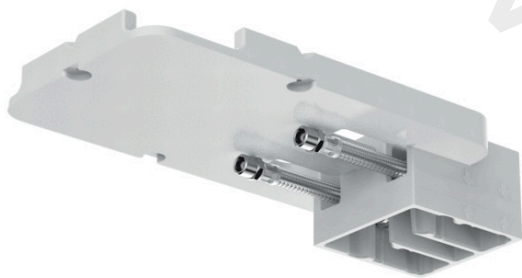
Price excl. VAT

130,00 £

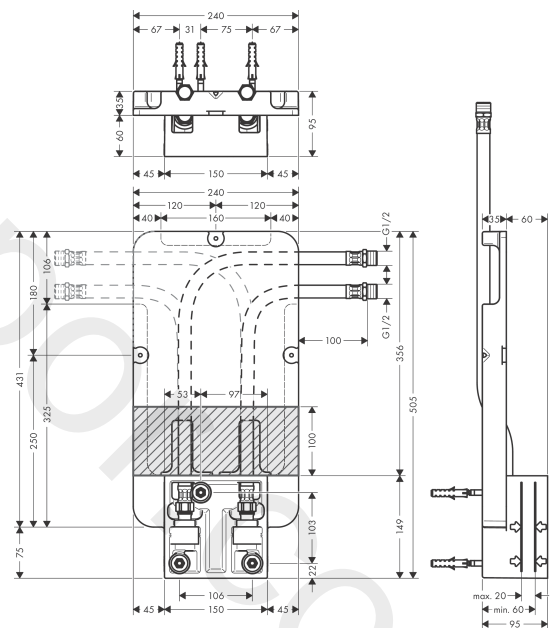
### Certificates / Sustainability



### Product image



### Scale drawing



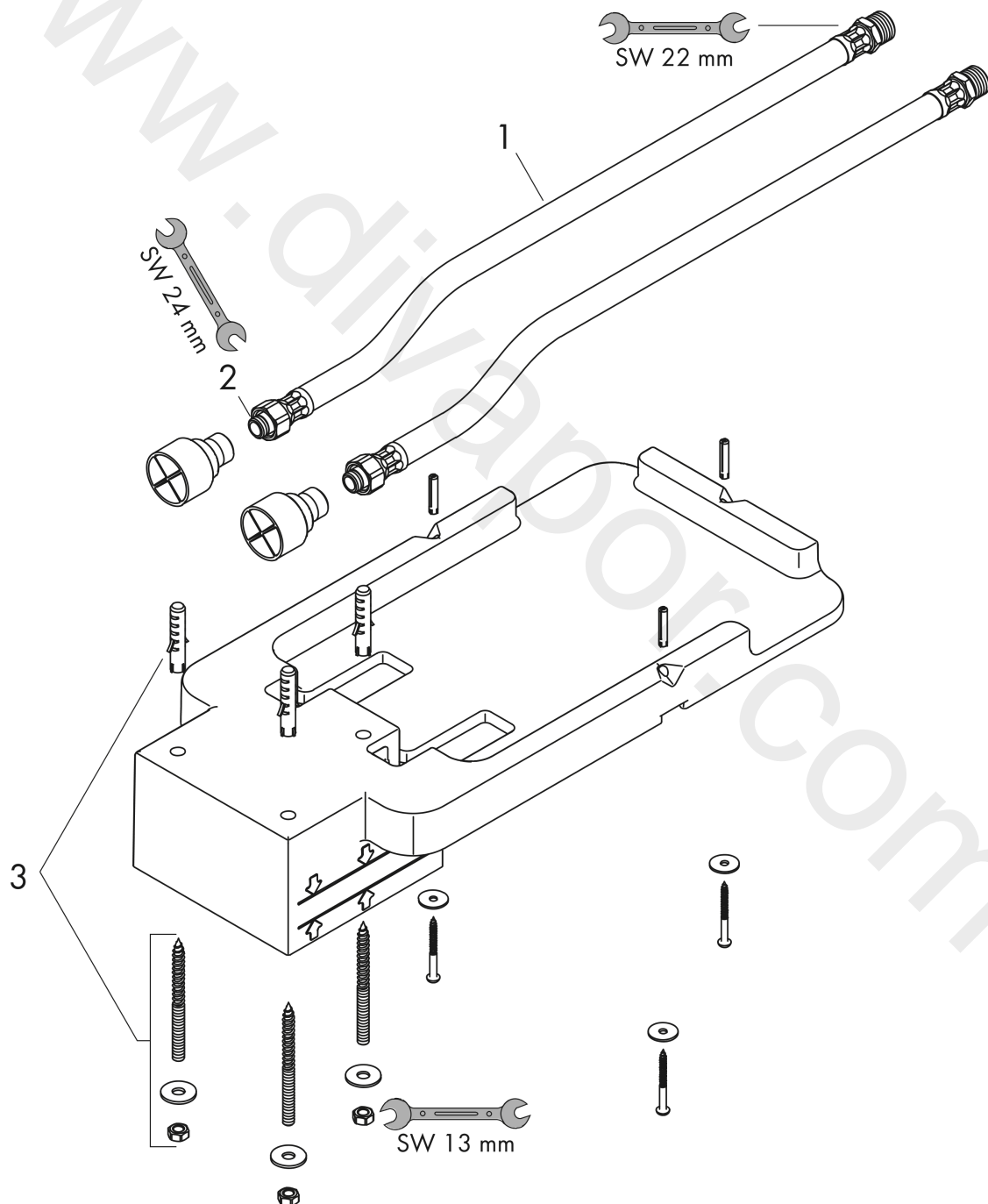


**AXOR ShowerSolutions**  
**Basic set for overhead shower ceiling**  
Finish: n.a. Article Number: 35363180



## Exploded Drawing

Year of production: >01/19



**AXOR ShowerSolutions**  
**Basic set for overhead shower ceiling**  
Finish: n.a. Article Number: **35363180**



## Spare part list

Year of production: >01/19

Pos.		Article Number	Price	PU
1	pressure hose	96565000	£ 43,00	1
2	O-ring 11x2	98127000	£ 3,30	1
3	mounting kit	97722000	£ 64,00	1