

AXOR Citterio M
2-hole single lever kitchen mixer 220 with pull-out spray Eco
 Finish: **Chrome** Article Number: **34824000**



product features

- ComfortZone 220
- swivel range adjustable in 2 steps to 110° or 150°
- flexible position of faucet controls, 2 tap holes with \varnothing 35 mm required
- shower spray, laminar spray
- lockable shower spray, spray returns through pressing spray diverter
- MagFit magnetic shower support
- quick connect hose
- connection dimension: DN15
- maximum flow rate at 3 bar: 4,8 l/min
- ceramic cartridge
- connection type: G $\frac{3}{8}$ connections
- temperature limitation adjustable
- integrated non-return valve
- not suitable for continuous flow water heaters
- extension length up to 50 cm
- EU taxonomy: max. 6 l/min - Substantial Contribution (SC)

Article Details

Price excl. VAT

583,33 £

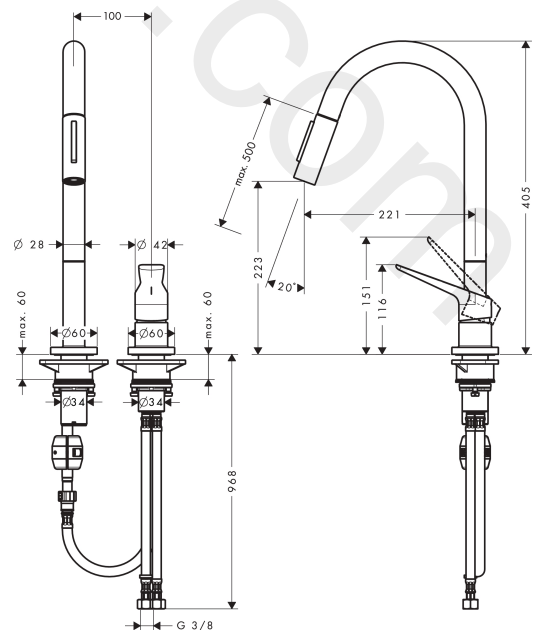
Technology



Product image



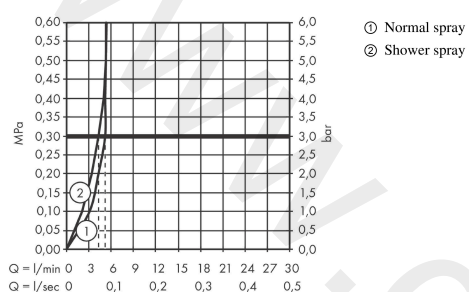
Scale drawing



AXOR Citterio M
2-hole single lever kitchen mixer 220 with pull-out spray Eco
 Finish: **Chrome** Article Number: **34824000**



Flowchart

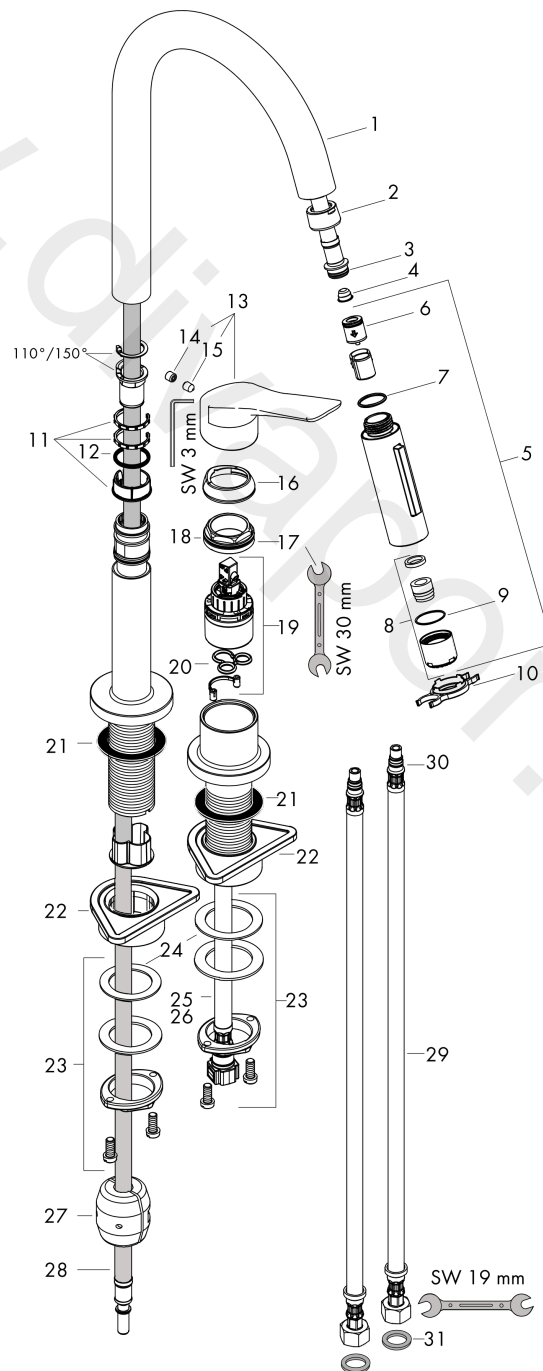


AXOR Citterio M
2-hole single lever kitchen mixer 220 with pull-out spray Eco
 Finish: **Chrome** Article Number: **34824000**



Exploded Drawing

Year of production: >10/19



AXOR Citterio M
2-hole single lever kitchen mixer 220 with pull-out spray Eco
 Finish: **Chrome** Article Number: **34824000**



Spare part list

Year of production: >10/19

Pos.		Article Number	Price	PU
1	spout cpl.	95562000	£ 137,00	1
2	nut	92755000	£ 20,50	1
3	O-ring 11x2	98127000	£ 3,30	1
4	filter	97735000	£ 3,30	1
5	handspray	93474000	£ 173,00	1
6	flow limiter / non return valve	95376000	£ 25,00	1
7	O-ring 18x1,5	98231000	£ 3,30	1
8	aerator laminar M22x1 (15 l/min)	95909000	£ 51,00	1
9	O-ring 20x1	98140000	£ 3,30	1
10	service tool	95910000	£ 9,00	1
11	set of lever collars	98365000	£ 9,00	1
12	O-ring 21x2,5	98211000	£ 3,30	1
13	handle	95902000	£ 173,00	1
14	screw cover	96762000	£ 3,30	1
15	hollow set screw M6x8	98444000	£ 3,30	1
16	flange	96763000	£ 9,00	1
17	nut	97209000	£ 16,10	1
18	O-ring 29x2	98391000	£ 3,30	1
19	cartridge, assy	95646001	£ 96,00	1
20	seal	95008000	£ 9,00	1
21	sealing washer	97825000	£ 3,30	1
22	support	97523000	£ 6,10	1
23	fixing set (Ø 34)	95049000	£ 16,10	1
24	lever collar	97548000	£ 3,30	1
25	connection hose 600 mm M10x1	95561000	£ 25,00	1
26	O-ring 8x1,75	97827000	£ 3,30	1
27	weight	98551000	£ 20,50	1
28	hose 1,50 m	95507000	£ 79,00	1
29	connection hose 900 mm M8x0,75 G3/8	96316000	£ 43,00	1
30	O-ring 7x1,5	98422000	£ 3,30	1
31	sealing set	95581000	£ 6,10	1