

AXOR Citterio M

Thermostat for concealed installation with shut-off/ diverter valve

Finish: **Chrome** Article Number: **34725000**



product features

- 2 functions
- thermostat cartridge, shut-off valve
- maximum flow rate at 3 bar: 29 l/min
- flow rate upper outlet: 25 l/min
- flow rate lower outlet: 29 l/min
- min. operating pressure: 1 bar
- max. operating pressure: 10 bar
- safety stop at 40 °C
- temperature limitation adjustable
- with silencer
- connection type: basic set

Article Details

Price excl. VAT

766,67 £

Technology



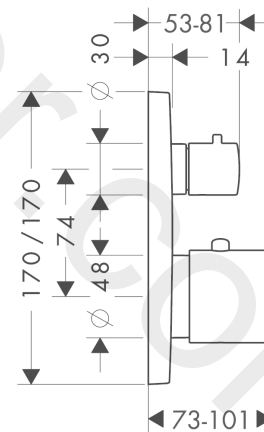
Certificates / Sustainability



Product image



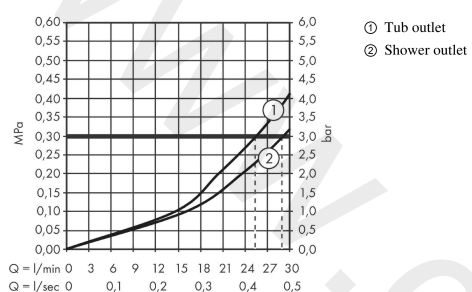
Scale drawing



AXOR Citterio M
Thermostat for concealed installation with shut-off/ diverter valve
 Finish: **Chrome** Article Number: **34725000**



Flowchart

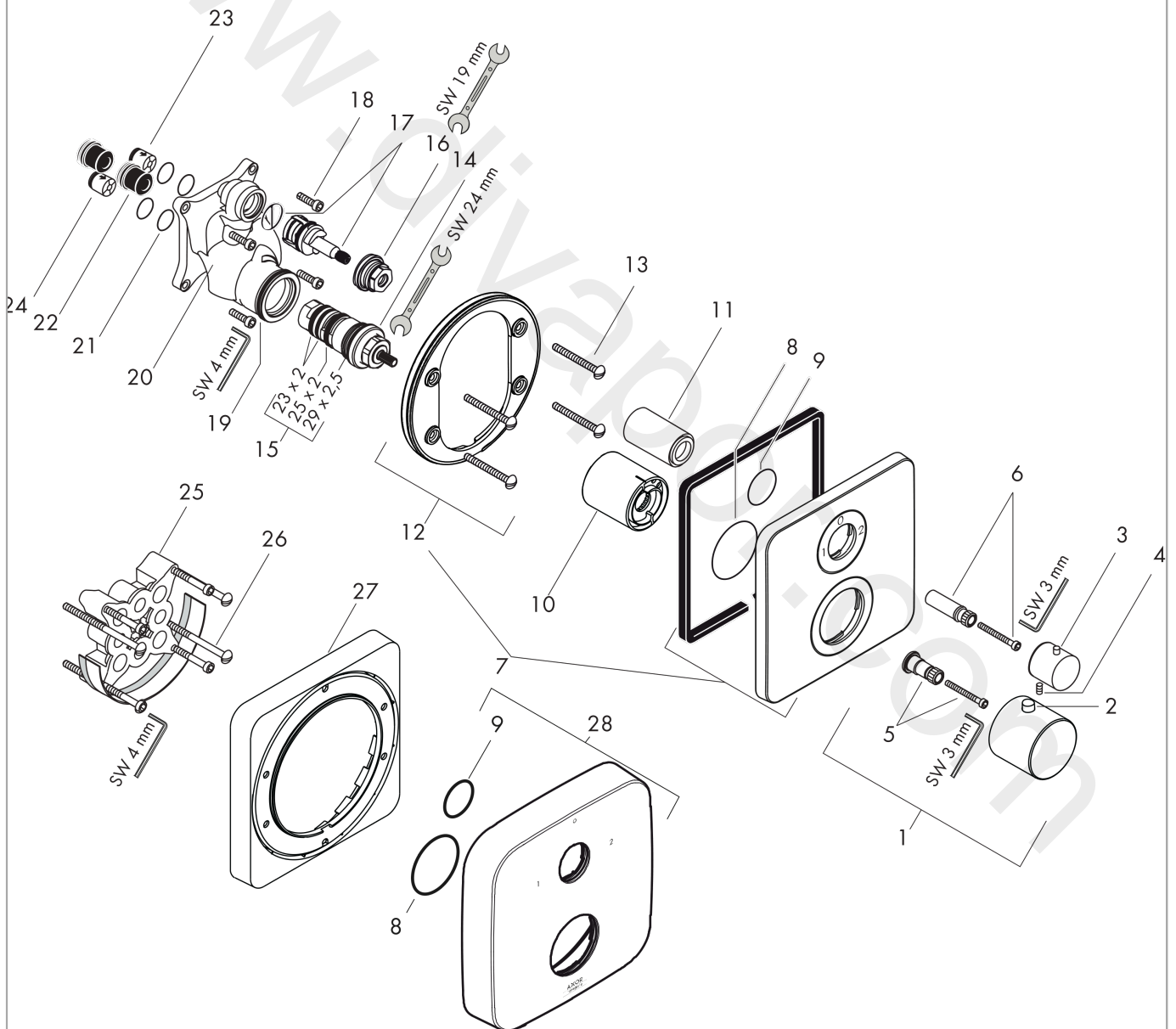


AXOR Citterio M
Thermostat for concealed installation with shut-off/ diverter valve
 Finish: **Chrome** Article Number: **34725000**



Exploded Drawing

Year of production: >09/12



AXOR Citterio M
Thermostat for concealed installation with shut-off/ diverter valve
 Finish: **Chrome** Article Number: **34725000**



Spare part list

Year of production: >09/12

| Pos. | | Article Number | Price | PU |
|------|---|----------------|----------|----|
| 1 | handle for thermostat | 38391000 | £ 64,00 | 1 |
| 2 | pushbutton | 92848000 | £ 6,10 | 1 |
| 3 | handle | 96520000 | £ 64,00 | 1 |
| 4 | hollow set screw M4x16 | 97663000 | £ 3,30 | 1 |
| 5 | adapter for handle | 96435000 | £ 20,50 | 1 |
| 6 | adapter for handle | 96451000 | £ 16,10 | 1 |
| 7 | escutcheon | 95157000 | £ 79,00 | 1 |
| 8 | O-Ring 48x3 | 95508000 | £ 3,30 | 1 |
| 9 | O-ring 29x3 | 98371000 | £ 6,10 | 1 |
| 10 | sleeve | 96439000 | £ 43,00 | 1 |
| 11 | sleeve | 96446000 | £ 35,00 | 1 |
| 12 | holder for escutcheon | 98793000 | £ 43,00 | 1 |
| 13 | set of fixing screws | 96454000 | £ 9,00 | 1 |
| 14 | thermostat cartridge | 94282000 | £ 137,00 | 1 |
| 15 | sealing set | 95037000 | £ 51,00 | 1 |
| 16 | nut | 92853000 | £ 9,00 | 1 |
| 17 | shut off unit with selector | 96509000 | £ 96,00 | 1 |
| 18 | O-ring 39x2 | 98158000 | £ 3,30 | 1 |
| 19 | set of screws | 96525000 | £ 9,00 | 1 |
| 20 | installation unit cpl. | 92591000 | £ 370,00 | 1 |
| 21 | O-ring 16x2 | 98133000 | £ 3,30 | 1 |
| 22 | noise reduction | 94073000 | £ 25,00 | 1 |
| 23 | set of non return valves DW 15 | 94074000 | £ 16,10 | 1 |
| 24 | non return valve (pressure-resistant up to 2 MPa) | 92594000 | £ 16,10 | 1 |
| 25 | extension 25 mm | 13595000 | £ 75,00 | 1 |
| 26 | set of fixing screws | 97747000 | £ 3,30 | 1 |
| 27 | extension 22 mm | 98860000 | £ 84,00 | 1 |
| 28 | escutcheon height = 33 mm (when wall is not deep enough). | 14973000 | £ 87,00 | 1 |
| a | concealed item | 01800180 | £ 163,00 | 1 |
| b | adapter for exchanged connections | 93181000 | £ 275,00 | 1 |
| c | non return valve with filter | 92499000 | £ 16,10 | 1 |
| d | fixation set | 96615000 | £ 59,00 | 1 |